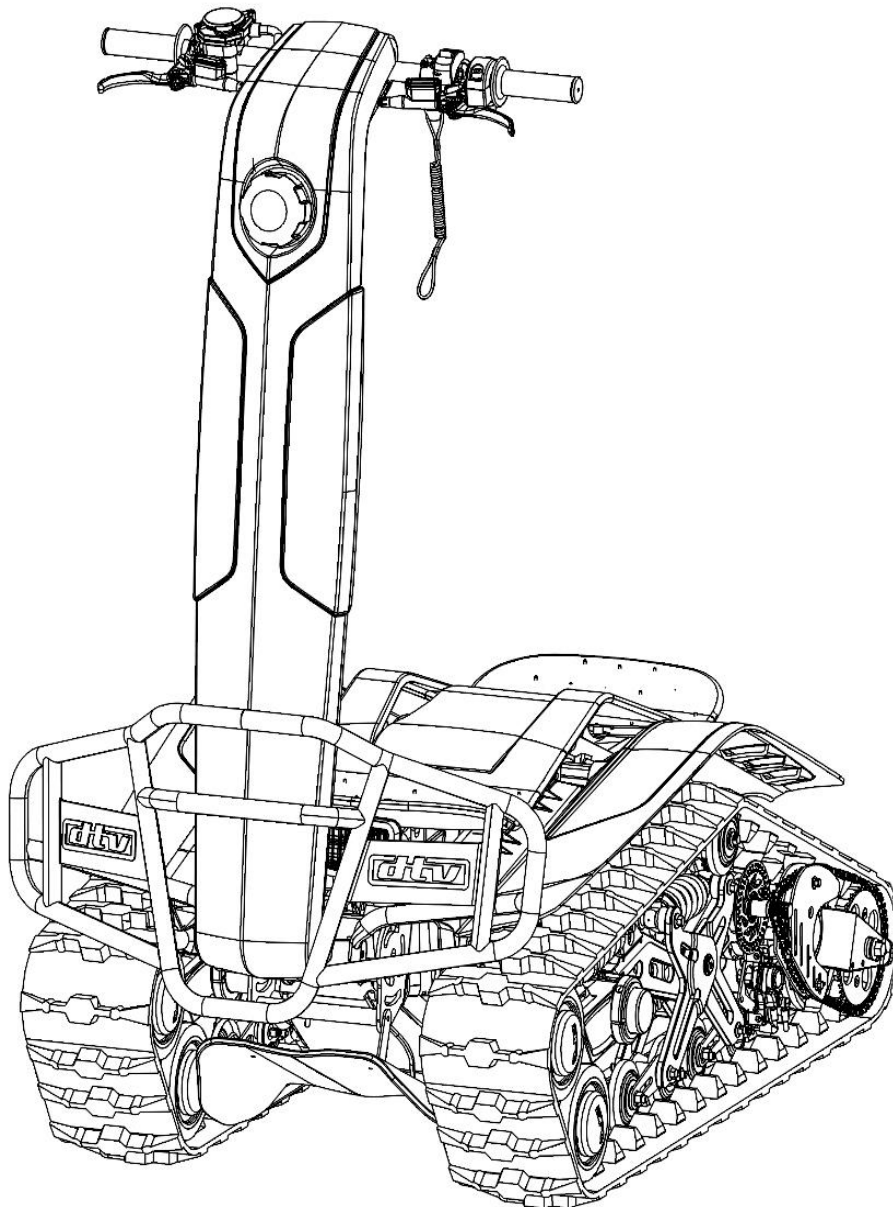




DTV SHREDDER PARTS MANUAL



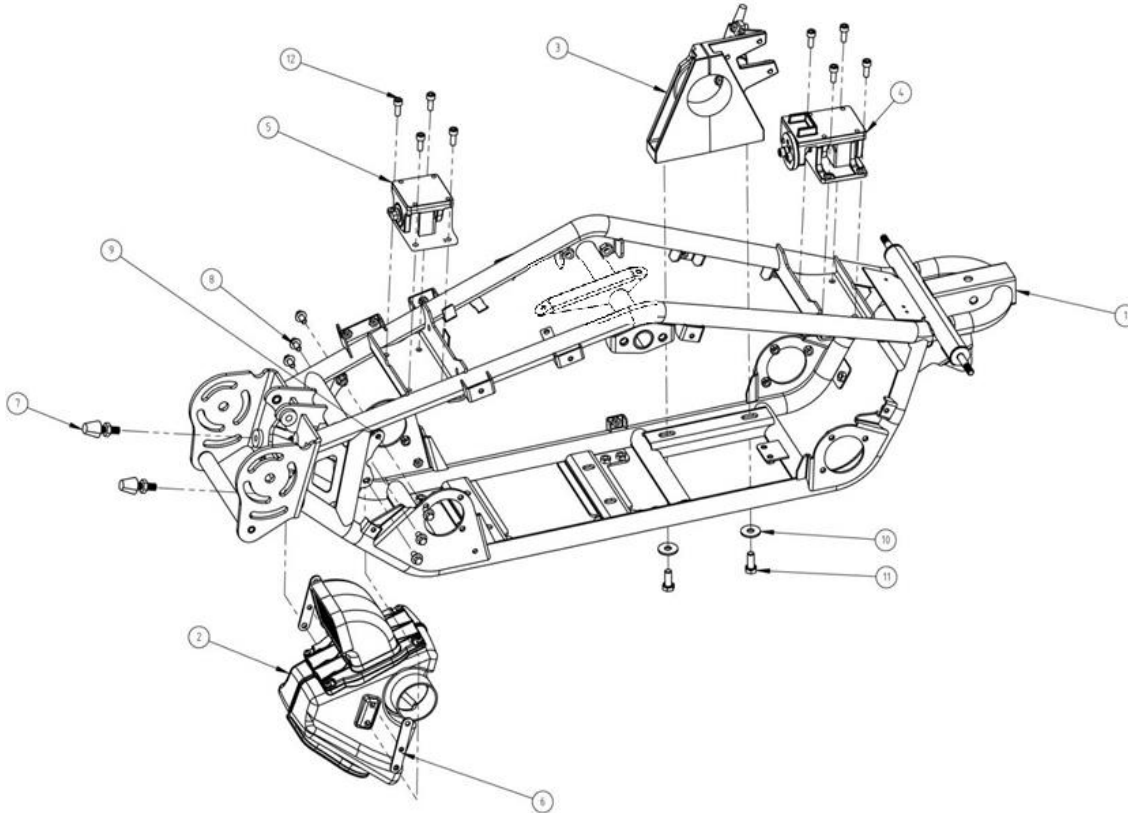
REV 10/

NEW 100

Table of Contents

<u>(A) ASSEMBLY STAGE 1, MOUNTS AND AIR BOX</u>	<u>3</u>
<u>SUB ASSEMBLY (A-1), AIR BOX</u>	<u>4</u>
<u>SUB ASSEMBLY (A-2), TRANSMISSION MOUNT</u>	<u>5</u>
<u>SUB ASSEMBLY (A-3), REAR DECK HINGE</u>	<u>6</u>
<u>SUB ASSEMBLY (A-4), FRONT DECK HINGE</u>	<u>7</u>
<u>SUB ASSEMBLY (A-5), REAR UPPER DECK PIVOT</u>	<u>8</u>
<u>SUB ASSEMBLY (A-6), FRONT UPPER DECK PIVOT</u>	<u>8</u>
<u>(B) ASSEMBLY STAGE 2, PIVOT TUBES</u>	<u>9</u>
<u>(C) ASSEMBLY STAGE 3, ENGINE</u>	<u>10</u>
<u>(D) ASSEMBLY STAGE 4, INNER TRANSMISSION CASE</u>	<u>12</u>
<u>SUB ASSEMBLY (D-1), INNER TRANSMISSION CASE</u>	<u>14</u>
<u>SUB ASSEMBLY (D-2), BRAKE ROTOR</u>	<u>15</u>
<u>SUB ASSEMBLY (D-3), DRIVER ROLLERWEIGHT</u>	<u>16</u>
<u>SUB ASSEMBLY (D-4), TORQUE SENSING SHEAVE</u>	<u>17</u>
<u>SUB ASSEMBLY (D-5), INNER DRIVE SHAFT</u>	<u>18</u>
<u>SUB ASSEMBLY (D-6), MALE MOVABLE SHEAVE</u>	<u>19</u>
<u>SUB ASSEMBLY (D-7), FEMALE MOVABLE SHEAVE</u>	<u>19</u>
<u>(E) ASSEMBLY STAGE 5, OUTER TRANSMISSION CASE</u>	<u>20</u>
<u>SUB ASSEMBLY (E-1), OUTER TRANSMISSION CASE</u>	<u>21</u>
<u>SUB ASSEMBLY (E-2), STEERING SHEAVE</u>	<u>22</u>
<u>SUB ASSEMBLY (E-3), OUTER DRIVE SHAFT</u>	<u>23</u>
<u>(F) ASSEMBLY STAGE 6, EXHAUST</u>	<u>24</u>
<u>(G) ASSEMBLY STAGE 7, HANDLE</u>	<u>25</u>
<u>SUB ASSEMBLY (G-1), HANDLE</u>	<u>27</u>
<u>(H) ASSEMBLY STAGE 8, CVT EXHAUST DUCT</u>	<u>29</u>
<u>(I) ASSEMBLY STAGE 9, MUD GUARDS</u>	<u>30</u>
<u>(J) ASSEMBLY STAGE 10, AIR DUCTS</u>	<u>31</u>
<u>(K) ASSEMBLY STAGE 11, RH CHASSIS</u>	<u>32</u>
<u>SUB ASSEMBLY (K-1), RH CHASSIS</u>	<u>34</u>
<u>SUB ASSEMBLY (K-2), RH MIDDLE SUSPENSION</u>	<u>36</u>
<u>SUB ASSEMBLY (K-3), RH FRONT SUSPENSION</u>	<u>38</u>
<u>SUB ASSEMBLY (K-4), RH REAR SWING ARM</u>	<u>39</u>
<u>SUB ASSEMBLY (K-5), STEERING ROD</u>	<u>40</u>
<u>SUB ASSEMBLY (K-6), GUIDE, CHAIN</u>	<u>41</u>
<u>SUB ASSEMBLY (K-7), LOWER BOGEY WHEEL</u>	<u>42</u>
<u>SUB ASSEMBLY (K-8), 130MM BOGIE WHEEL</u>	<u>42</u>
<u>(L) ASSEMBLY STAGE 12, LH CHASSIS</u>	<u>43</u>
<u>SUB ASSEMBLY (L-1), LH CHASSIS</u>	<u>45</u>
<u>SUB ASSEMBLY (L-2), LH MIDDLE SUSPENSION</u>	<u>47</u>
<u>SUB ASSEMBLY (L-3), LH FRONT SUSPENSION</u>	<u>49</u>
<u>SUB ASSEMBLY (L-4), LH REAR SWING ARM</u>	<u>51</u>
<u>SUB ASSEMBLY (L-5), BRAKE ROTOR</u>	<u>53</u>
<u>(M) ASSEMBLY STAGE 13, HANDLE COVER & SKID PLATE</u>	<u>54</u>
<u>SUB ASSEMBLY (M-1), FRONT SKID PLATE</u>	<u>55</u>
<u>SUB ASSEMBLY (M-2), MAIN SKID PLATE</u>	<u>55</u>
<u>(N) ASSEMBLY STAGE 14, FAIRINGS AND DECK</u>	<u>56</u>
<u>SUB ASSEMBLY (N-1), RH UPPER BOGEY ARM</u>	<u>57</u>
<u>SUB ASSEMBLY (N-2), LH UPPER BOGEY ARM</u>	<u>58</u>
<u>SUB ASSEMBLY (N-3), 84.5MM BOGIE WHEEL</u>	<u>59</u>
<u>(O) ASSEMBLY STAGE, FINAL, TRACKS</u>	<u>60</u>

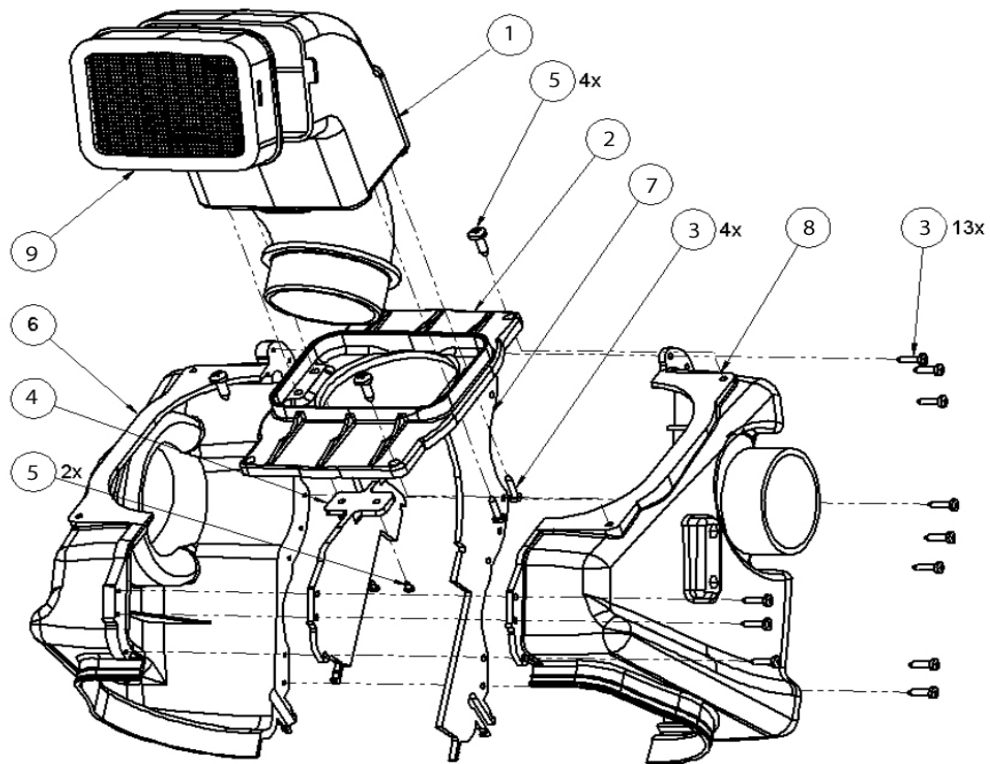
(A) ASSEMBLY STAGE 1, MOUNTS AND AIR BOX



ITEM	PART NUMBER	DESCRIPTION	QTY
1	V011000-HYMD-1B03	WELDMENT, FRAME	1
2	SUB ASSEMBLY (A-1)	SUB ASSY, AIR BOX	1
3	SUB ASSEMBLY (A-2)	SUB ASSY, TRANSMISSION MOUNT	1
4	SUB ASSEMBLY (A-3)	SUB ASSY, REAR DECK HINGE	1
5	SUB ASSEMBLY (A-4)	SUB ASSY, FRONT DECK HINGE	1
6	V013006-HYMD-0B03	BRACKET, AIR BOX	2
7	V062005-HYMD-0000	RUBBER BOLT, HANDLE SAFETY STOP	2
8	GB/T818-M5*16-A2G	PAN HEAD SCREW, PHILLIPS GB/T 818 - M5 x 16 - CLASS 8.8 - OZ	2
9	GB/T6187.1-M5-A3H	HEX FLANGE NUT GB/T 6187.1 - M5 - CLASS 8 - OZ	2
10	GB/T95-8-A3H	PLAIN WASHER GB/T 95 - M8 - OZ	4
11	GB/T16674.1-M8*16-A3H	HEX FLANGE BOLT GB/T 16674.1 - M8 x 16 - CLASS 8.8 - OZ	2
12	90103-06016-00F5J	OEM STYLE HEX FLANGE BOLT - M6 x 16 - CLASS 8.8	8
13	V201000-HYMD-4000	ENGINE ELEC CABLE(WATERPROOF CONNECTORS)	1
14	V243168-HYMD-0000	AIR BOX TUBE CONNECTOR	1
15	V243141-HYMD-0000	OIL SEPARATOR VENT TUBE, TO AIR BOX 13.5x7x650	1
16	E034201-HYMD-0000	CRANKCASE VENT TUBE 7x4x450	1

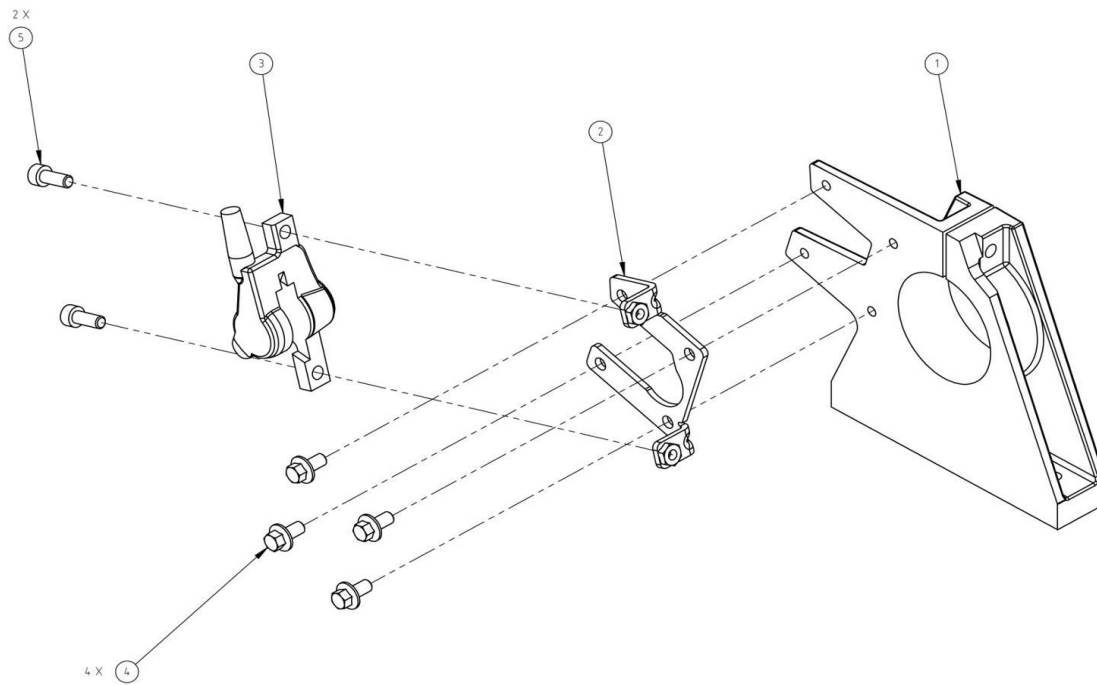
17	V243131-HYMD-1000	EVAP TUBE, TO AIR BOX 10x7x1300	1
----	-------------------	---------------------------------	---

SUB ASSEMBLY (A-1), AIR BOX



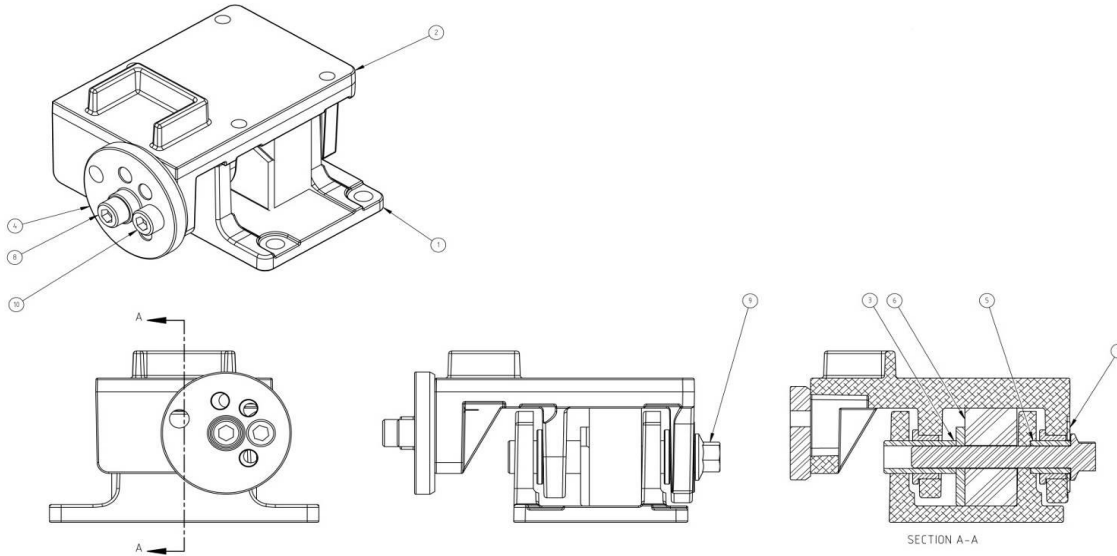
ITEM	PART NUMBER	DESCRIPTION	QTY
1	V241017-HYMD-0000	SCOOP AIRBOX ASSY	1
2	V241011-HYMD-0000	SCOOP PLATE, AIR BOX	1
3	GB/T845-ST2.9*13-A3H	FASTENER	15
4	V241103-HYMD-0000	FR. DIVIDER PLATE, AIR BOX	1
5	GB/T845-ST4.2*13-A3H	FASTENER	6
6	V241018-HYMD-0000	COVER, AIR BOX(RH)	1
7	V241018-HYMD-0000	RR. DIVIDER PLATE, AIR BOX	1
8	V241019-HYMD-0000	COVER, AIR BOX(LH)	1
9	V241102-HYMD-0000	SCREEN, AIR BOX SCOOP	1

SUB ASSEMBLY (A-2), TRANSMISSION MOUNT



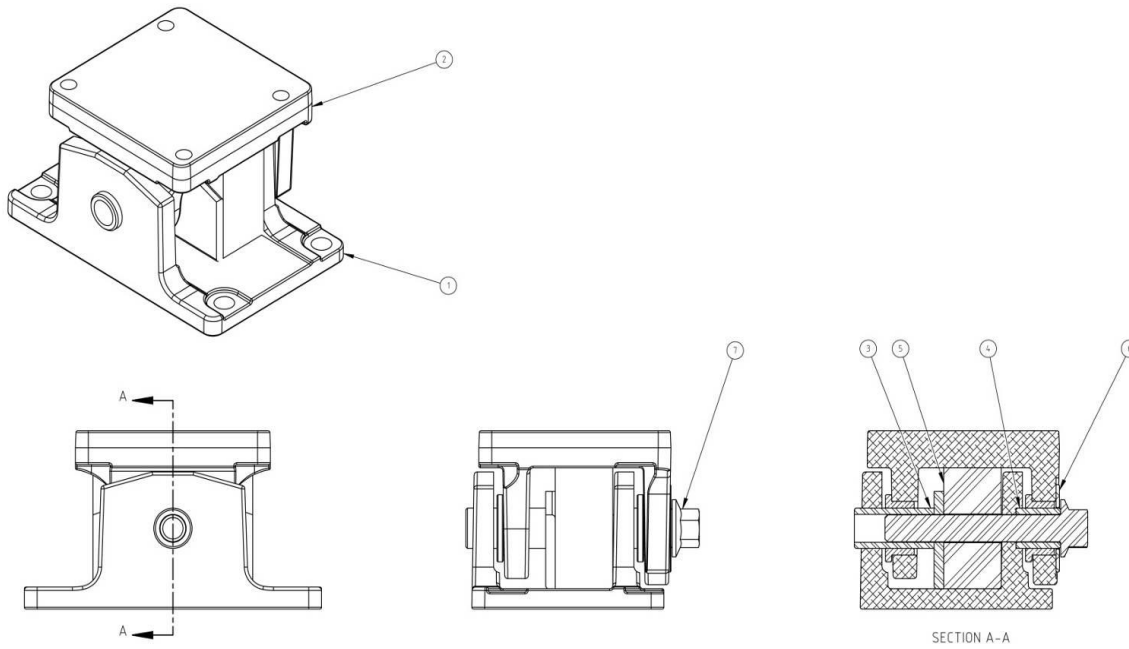
ITEM	PART NUMBER	DESCRIPTION	QTY
1	V111208-HYMD-1000	TRANSMISSION MOUNT	1
2	V161331-HYMD-0B03	WELDMENT, BRAKE BRACKET	1
3	V151000-HYMD-0000	BRAKE CALIPER	1
4	GB/T70.2-M6*12-A2G	BUTTON HEAD SCREW GB/T 70.2 - M6 x 12 - CLASS 8.8 - OZ	4
5	90103-06016-00F5J	FASTENER	2

SUB ASSEMBLY (A-3), REAR DECK HINGE



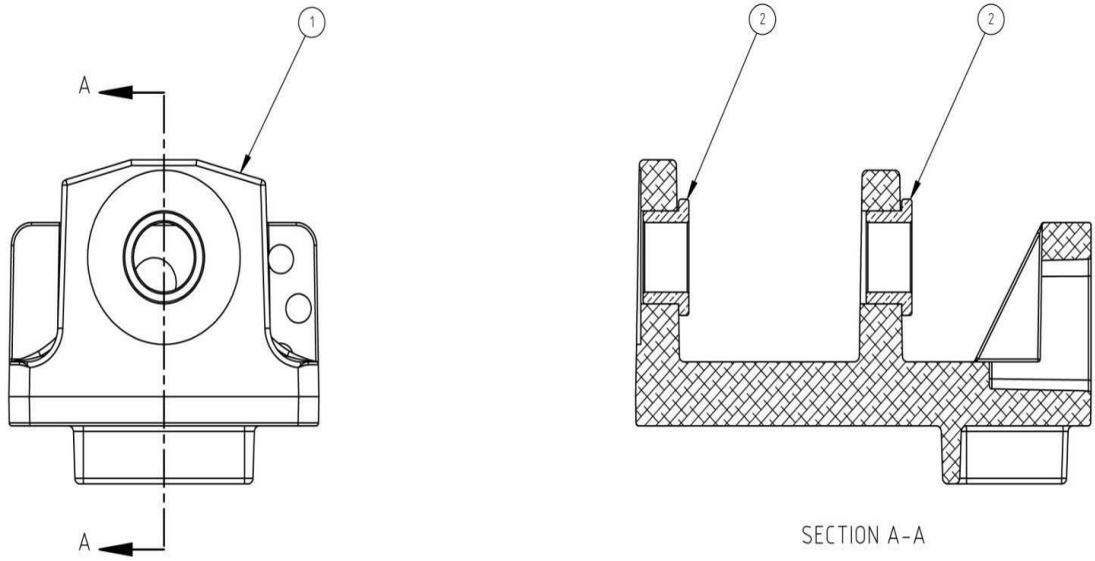
ITEM	PART NUMBER	DESCRIPTION	QTY
1	V101091-HYMD-0000	DECK HINGE, LOWER	1
2	SUB ASSEMBLY (A-5)	SUB ASSEMBLY, REAR UPPER DECK PIVOT	1
3	V114210-HYMD-0B03	WELDMENT, COMPRESSION PLATE	1
4	V101002-HYMD-0000	ADJUSTMENT WHEEL, STEERING	1
5	V101102-HYMD-0000	SPACER, TRUCK	1
6	V102006-HYMD-0000	URETHANE BLOCK, STEERING	1
7	V101114-HYMD-0000	WASHER, PLASTIC 1 X 12 X 26	1
	90301-HYMD-1000	WASHER ϕ 26-12*1.0	1
8	GB/T70.1-M6*25-A2G	SOCKET HEAD SCREW GB/T 70.1 - M6 x 25 - CLASS 8.8 - OZ	1
9	GB/T16674.1-M8*55-A3H	HEX FLANGE BOLT GB/T 16674.1 - M8 x 55 - CLASS 8.8 - OZ	1
10	GB/T70.1-M6*20-A2G	SOCKET HEAD SCREW GB/T 70.1 - M6 x 20 - CLASS 8.8 - OZ	1

SUB ASSEMBLY (A-4), FRONT DECK HINGE



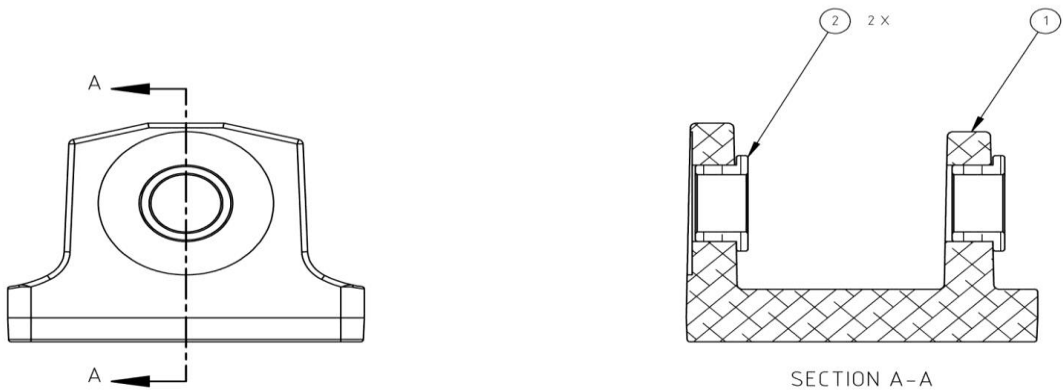
ITEM	PART NUMBER	DESCRIPTION	QTY
1	V101091-HYMD-0000	DECK HINGE, LOWER	1
2	SUB ASSEMBLY (A-6)	SUB ASSEMBLY, FRONT UPPER DECK PIVOT	1
3	V114210-HYMD-0B03	WELDMENT, COMPRESSION PLATE	1
4	V101102-HYMD-0000	SPACER, TRUCK	1
5	V102006-HYMD-0000	URETHANE BLOCK, STEERING	1
6	V101114-HYMD-0000	WASHER, PLASTIC 1 X 12 X 26	1
	90301-HYMD-1000	WASHER ϕ 26-12*1.0	1
7	GB/T16674.1-M8*55-A3H	HEX FLANGE BOLT GB/T 16674.1 - M8 x 55 - CLASS 8.8 - OZ	1

SUB ASSEMBLY (A-5), REAR UPPER DECK PIVOT



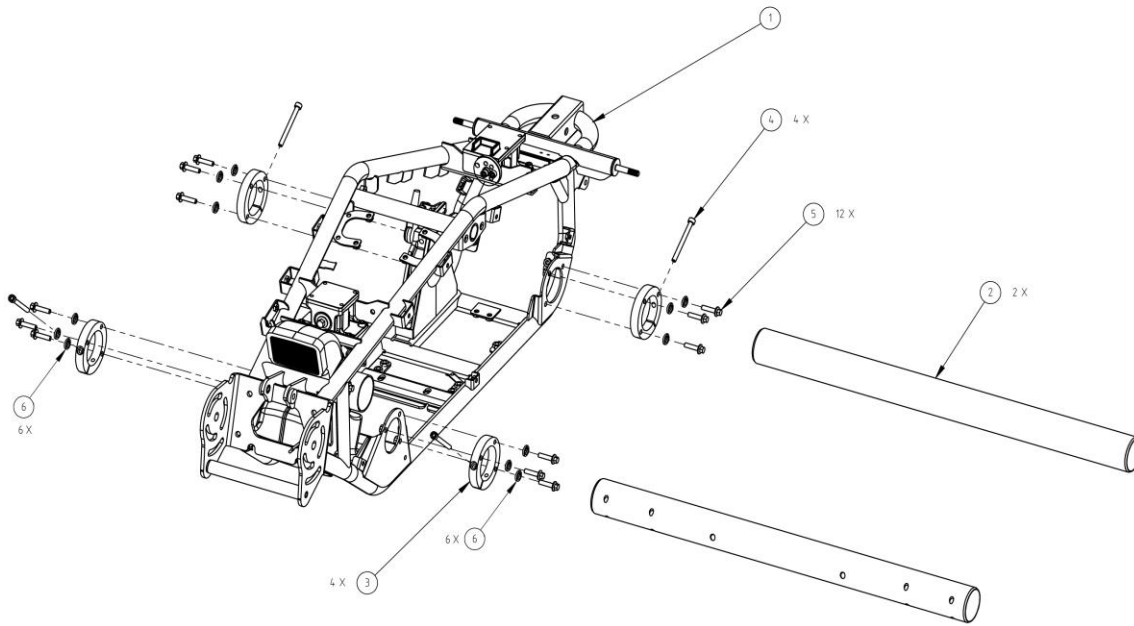
ITEM	PART NUMBER	DESCRIPTION	QTY
1	V101100-HYMD-0000	HINGE, REAR UPPER DECK	1
2	V100004-HYMD-0000	BUSHING, UPPER TRUCK	2

SUB ASSEMBLY (A-6), FRONT UPPER DECK PIVOT



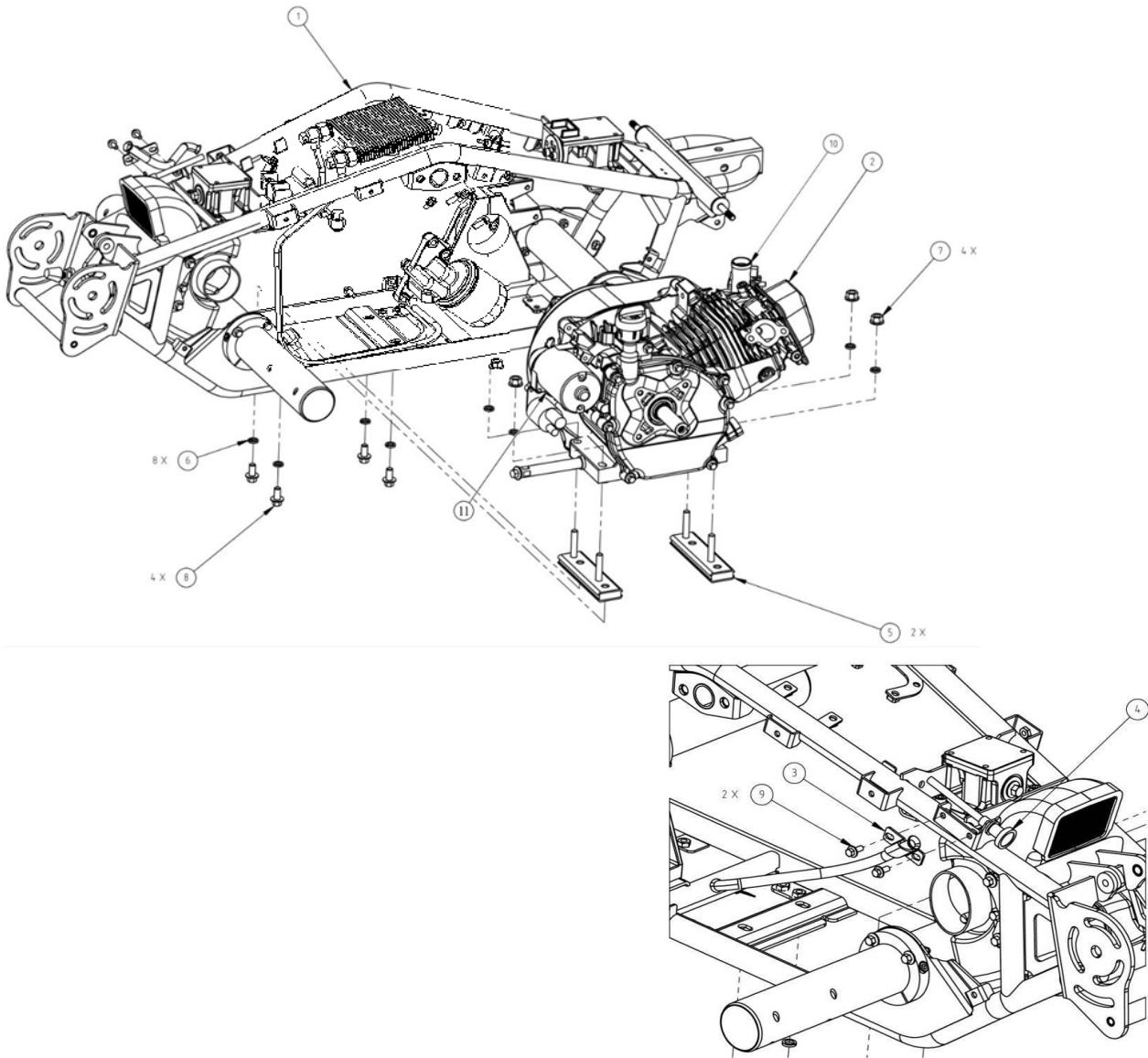
ITEM	PART NUMBER	DESCRIPTION	QTY
1	V101090-HYMD-0000	HINGE, FRONT UPPER DECK	1
2	V100004-HYMD-0000	BUSHING, UPPER TRUCK	2

(B) ASSEMBLY STAGE 2, PIVOT TUBES



ITEM	PART NUMBER	DESCRIPTION	QTY
1	(A) ASSEMBLY, STAGE 1	ASSEMBLY, STAGE 1, MOUNTS AND AIR BOX	1
2	V121002-HYMD-0000	AXLE, PIVOT TUBES	2
3	V121100-HYMD-0000	CLAMP, AXLE	4
4	GB/T70.1-M6*65-A2G	SOCKET HEAD SCREW GB/T 70.1 - M6 x 65 - CLASS 8.8 - OZ	4
5	90103-06025-00F5J	OEM STYLE HEX FLANGE BOLT - M6 x 25 - CLASS 8.8	12
6	GB/T93-6-S	SPRING WASHER GB/T 93 - M6 - OZ	12

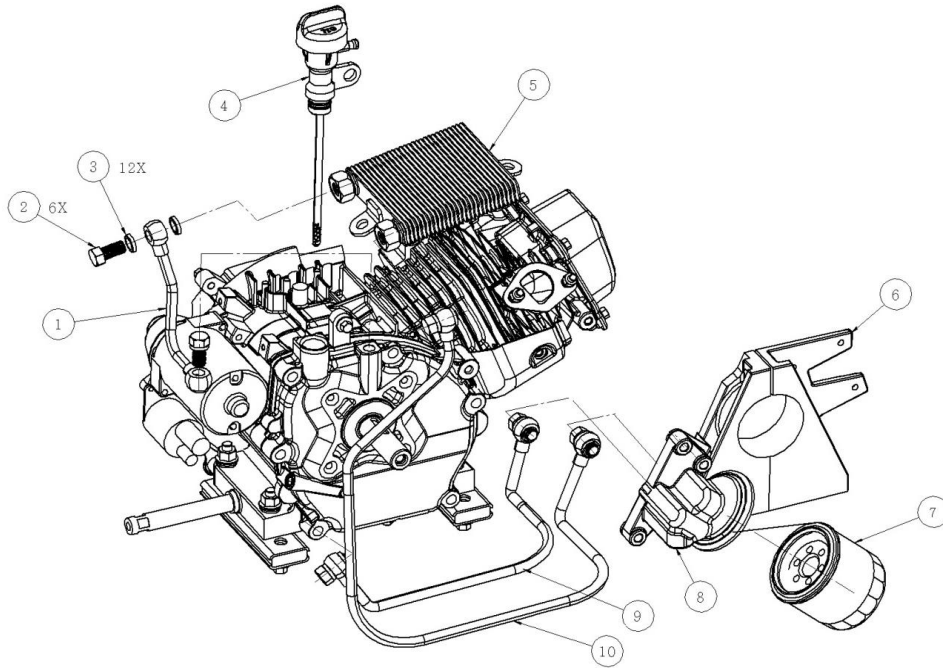
(C) ASSEMBLY STAGE 3, ENGINE



ITEM	PART NUMBER	DESCRIPTION	QTY
1	(B) ASSEMBLY, STAGE 2	ASSEMBLY, STAGE 2, PIVOT TUBES	1
2	SUB ASSEMBLY (C-1)	SUB ASSY,ENGINE, LIFAN, 168F-2 (EPA)	1
3	V204211-HYMD-0000	GUIDE, PULL CORD	1
4	V090510-HYMD-0000	CHOKE CABLE	1
5	V146005-HYMD-0000	ENGINE RUBBER CUSHION	2
6	GB/T95-8-A3H	PLAIN WASHER GB/T 95 - M8 - OZ	4
7	GB/T6183.1-M8-A2G	HEX FLANGE NUT GB/T 6187.1 - M8 - CLASS 8 - OZ	4
8	GB/T16674.1-M8*16-10.9-A3H	HEX FLANGE BOLT GB/T 16674.1 - M8 x 20 - CLASS 8.8 - OZ	4

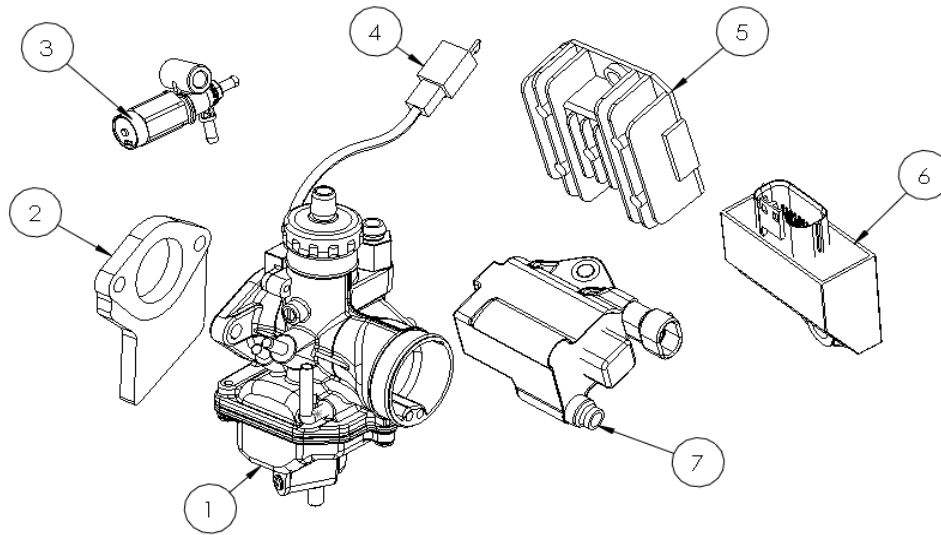
9	GB/T818-M5*10-A2G	PAN HEAD SCREW, PHILLIPS GB/T 818 - M5 x 10 - CLASS 8.8 - OZ	2
10	SUB ASSEMBLY (C-2)	SUB ASSY,ECS CARBURETTOR	1
11	E140005-HYMD-0000	MAIN JET(141#)	1
12	E145001-HYMD-1000	IDLE-SPEED ADJUSTING SCREW SUBASSEMBLY	1
13	E140008-HYMD-0000	PRIMER	1
14	E111000-HYMD-0000	STARTER MOTOR	1

(C)SUB ASSEMBLY (A-1), ENGINE



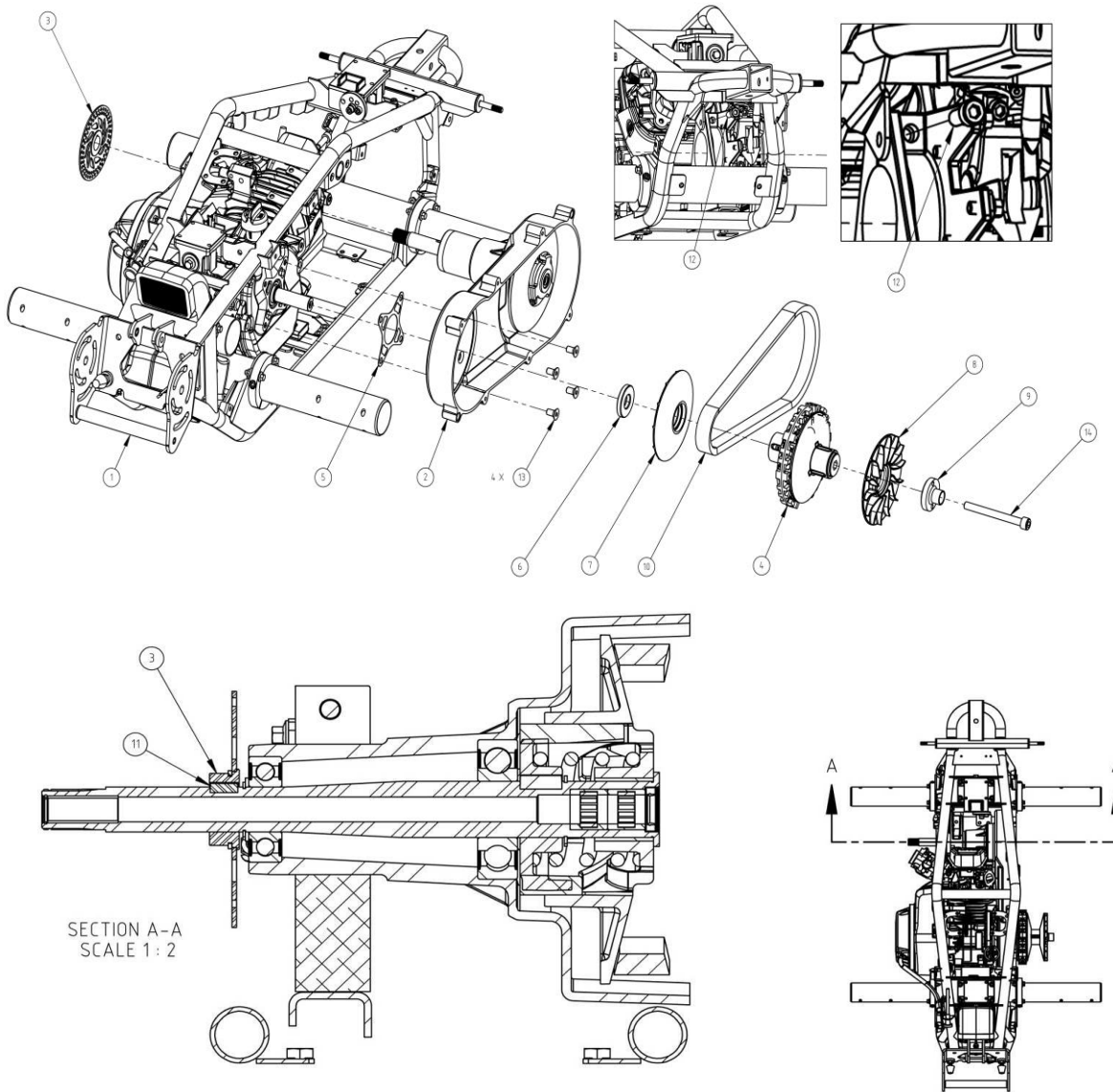
ITEM	PART NUMBER	DESCRIPTION	QTY
1	E053305-HYMD-0000	ENGINE SUPPLY LINE	1
2	E053306-HYMD-0000	BANJO BOLTS M10*10	6
3	E053308-HYMD-0000	BANGJO FITTING WASHERS	12
4	15500	DIPSTICK	1
5	E053100-HYMD-0000	OIL COOLER	1
6	V111208-HYMD-1000	TRANSMISSION MOUNT	1
7	E045000-HYMD-0000	OIL FILTER	1
8	E045002-HYMD-0000	FILTER BRACKET/HOLDER	1
9	E053301-HYMD-0000	FILTER SUPPLY LINE	1
10	E053302-HYMD-0000	COOLER SUPPLY LINE	1
	E13310A-HYMD-0000	ENGINE TEMP SENSOR	1

(C) SUB ASSEMBLY (A-2), ECS CARBURETTOR



ITEM	PART NUMBER	DESCRIPTION	QTY
1	E140000-HYMD-1000	ECS CARBURETOR	1
2	E140004-HYMD-0000	CARB SPACER	1
3	V201220-HYMD-0000	SOLENOID AIR VALVE	1
4	V199100-HYMD-0000	THROTTLE POSITION SENSOR	1
5	31140	VOLTAGE REGULATOR	1
6	V201210-HYMD-0000	ECU	1
7	E124000-HYMD-0000	IGNITION COIL	1

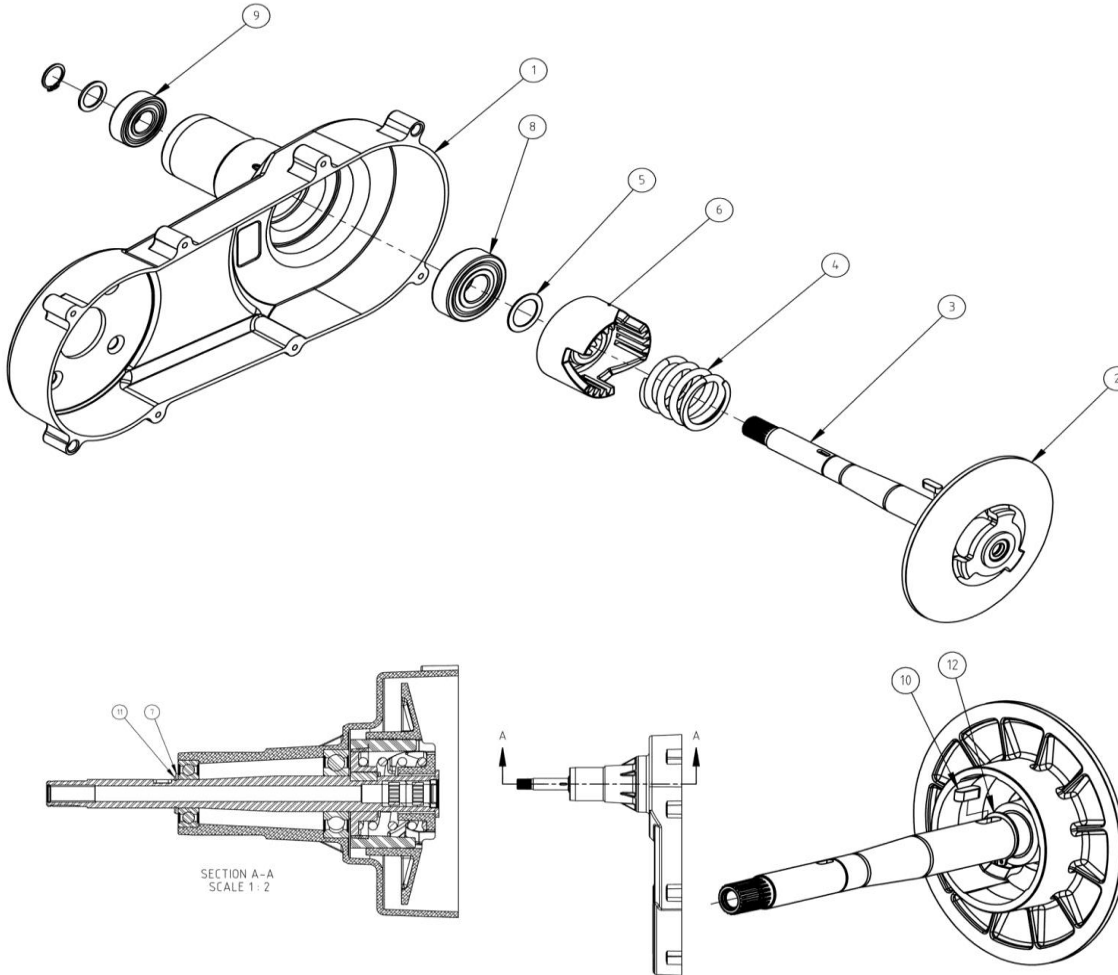
(D) ASSEMBLY STAGE 4, INNER TRANSMISSION CASE



ITEM	PART NUMBER	DESCRIPTION	QTY
1	(C) ASSEMBLY, STAGE 3	ASSEMBLY, STAGE 3, ENGINE	1
2	SUB ASSEMBLY (D-1)	SUB ASSY, INNER TRANSMISSION CASE	1
3	SUB ASSEMBLY (D-2)	SUB ASSY, BRAKE ROTOR	1
4	SUB ASSEMBLY (D-3)	SUB ASSY, DRIVER ROLLERWEIGHT	1
5	E030004-HYMD-0000	GASKET, TRANSMISSION CASE	1
6	E06210A-HYMD-0000	COLLAR, SHAFT INNER	1
7	E062346-HYMD-0000	SHEAVE, FIXED	1
8	E062345-HYMD-0000	SHEAVE, DRIVER FIXED	1
9	E062336-HYMD-0000	COLLAR, SHAFT OUTER	1

10	E082101-HYMD-0000	BELT, 22.4 x 840 VARIABLE SPEED	2
11	GB/T1096-4*12-A2F	PARALLEL KEY GB/T 1096 - 4 x 4 x 12 - YZ	1
12	GB/T70.1-M8*25-A2G	SOCKET HEAD SCREW GB/T 70.1 - M8 x 25 - CLASS 8.8 - OZ	1
13	GB/T70.3-M8*16-A2G	FLAT HEAD SCREW GB/T 70.3 - M8 x 16 - CLASS 8.8 - OZ	4
14	GB/T70.1-M10*1.25*100-10.9-A3H	SOCKET HEAD SCREW GB/T 70.1 - M10 x 1.25 x 100 - CLASS 10.9 - OZ	1

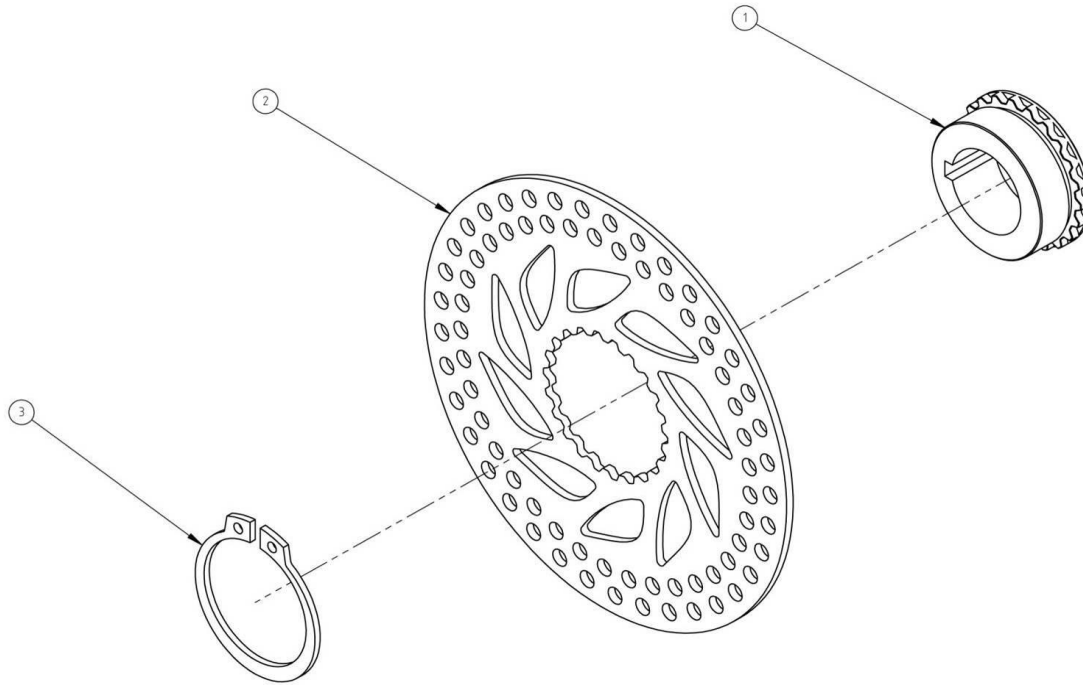
SUB ASSEMBLY (D-1), INNER TRANSMISSION CASE



ITEM	PART NUMBER	DESCRIPTION	QTY
1	E062120-HYMD-0000	TRANSMISSION CASE, INNER	1
2	SUB ASSEMBLY (D-4)	SUB ASSY, TORQUE SENSING SHEAVE	1
3	SUB ASSEMBLY (D-5)	SUB ASSY, INNER DRIVE SHAFT	1
4	E062207-HYMD-0000	SPRING, DRIVEN PULLEY, 520 N, 45 N/mm	1
5	E06210B-HYMD-0000	THRUST WASHER, 25 x 36 x 1	1
6	E062341-HYMD-0000	HELIX, INNER	1
7	V111206-HYMD-0000	SHIM, 20 x 28 x 1.50	1

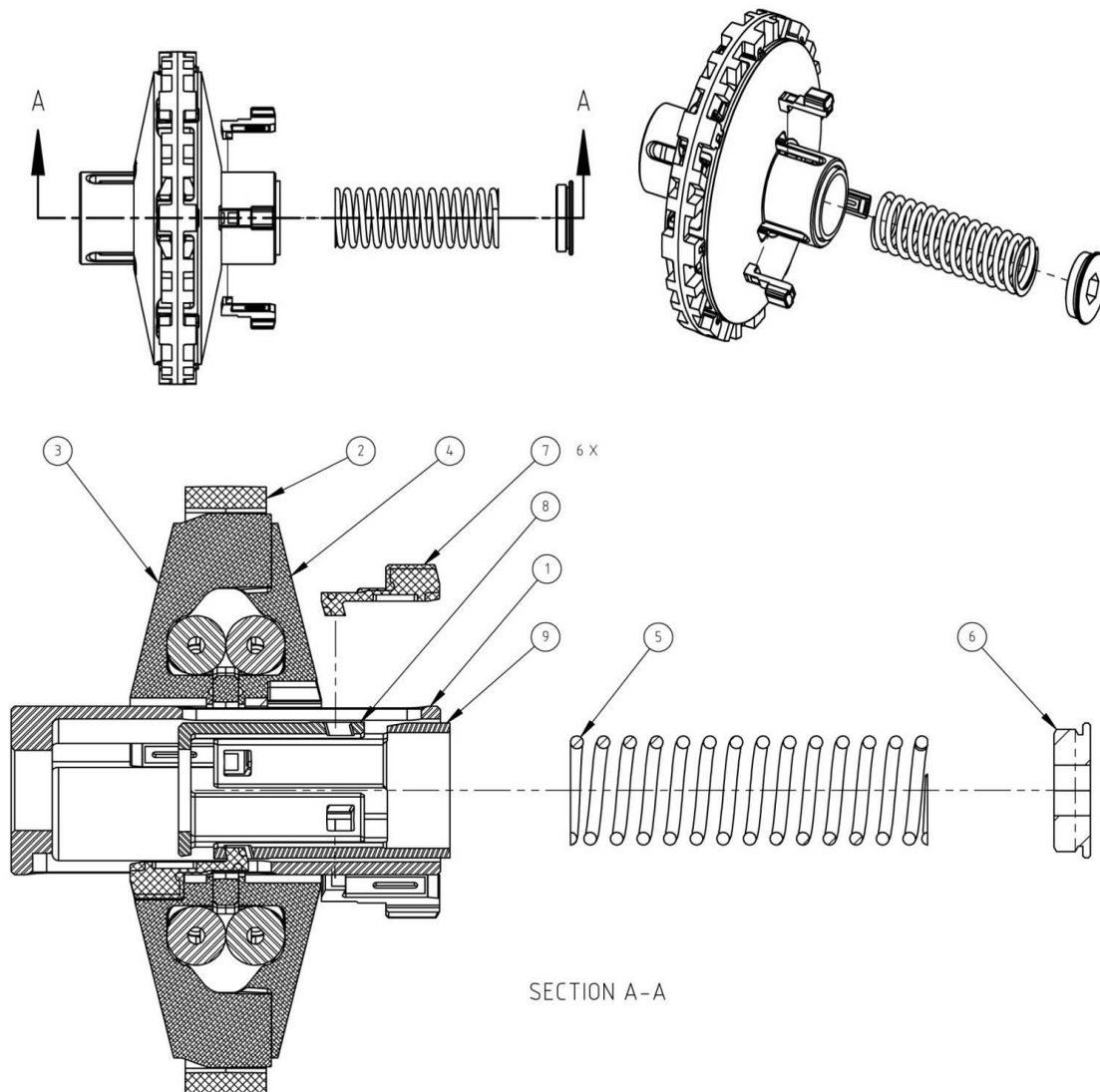
8	6305-2RS-GB/T276-94	BEARING, 6305-2RS	1
9	6204-2RS-GB/T276-94	BEARING, 6204-2RS	1
10	GB/T1096-6*18-A2F	PARALLEL KEY GB/T 1096 - 6 x 6 x 18 - YZ	1
11	GB/T894.1-20-K	EXT CIRCLIP GB/T 894.1 - 20 x 1.0 - P	1
12	GB/T895.1-12-K	EXT CIRCLIP GB/T 894.1 - 25 x 1.2 - P	1

SUB ASSEMBLY (D-2), BRAKE ROTOR



ITEM	PART NUMBER	DESCRIPTION	QTY
1	V151008-HYMD-0000	COLLAR BRAKE ROTOR SPLIT	1
2	V151001-HYMD-0000	DISK BRAKE ROTOR SPLIT	1
3	GB/T894.1-32-K	EXT CIRCLIP DIN 471 - 32 x 1.5 - P	1

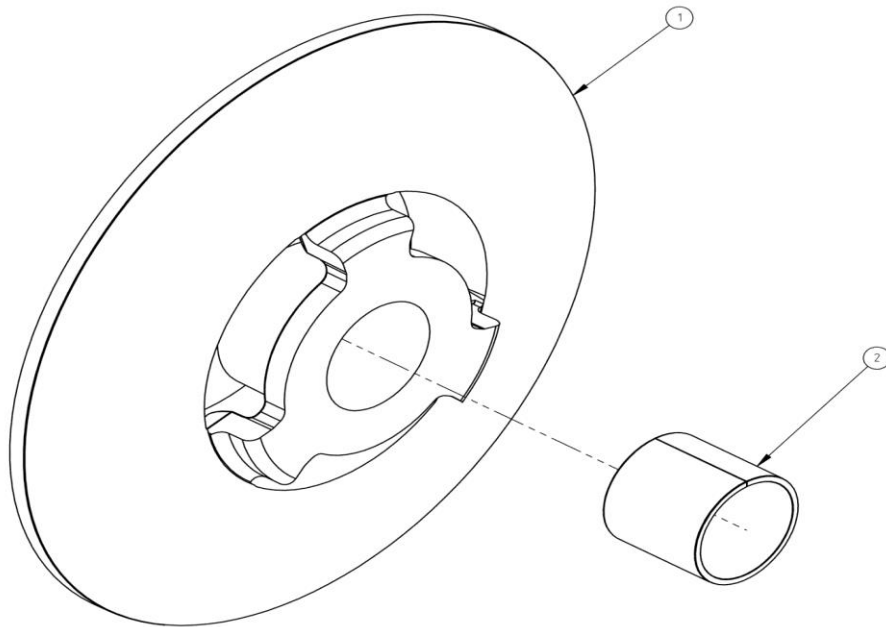
SUB ASSEMBLY (D-3), DRIVER ROLLERWEIGHT



ITEM	PART NUMBER	DESCRIPTION	QTY
1	E062305-HYMD-0000	SHAFT, DRIVER	1
2	E062300-HYMD-0000	SUB ASSEMBLY, ROLLER WEIGHT GUIDE	1
3	SUB ASSEMBLY (D-6)	SUB ASSY, MALE MOVABLE SHEAVE	1
4	E062331-HYMD-0000	SUB ASSY, FEMALE MOVABLE SHEAVE	1
5	E062208-HYMD-0000	SPRING, DRIVER, 127 N, 5.9 N/mm	1

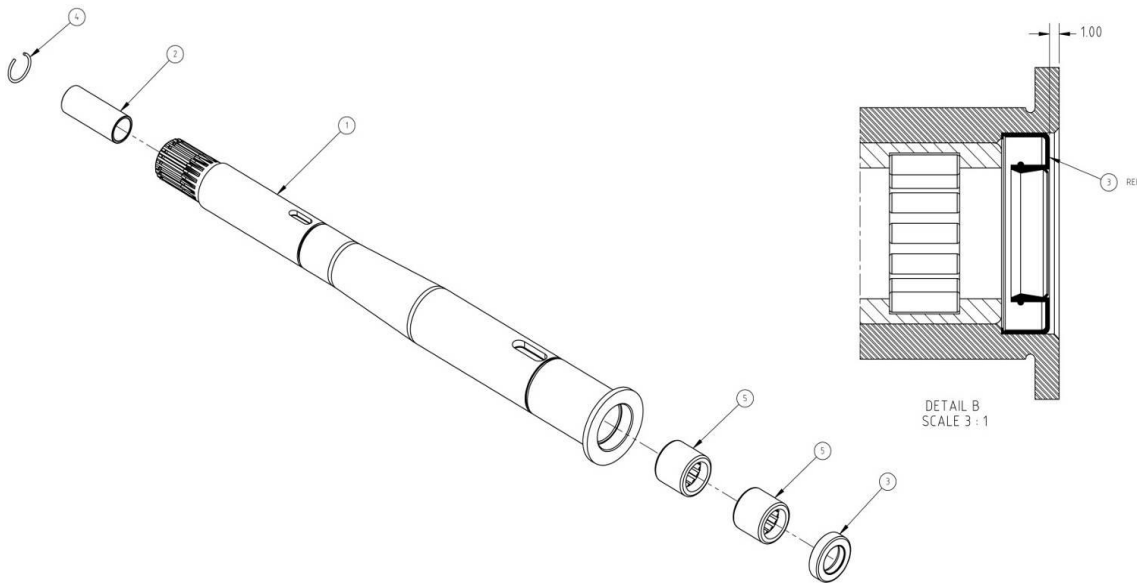
6	E062108-HYMD-0000	SCREW, SPRING	1
7	E062304-HYMD-0000	KEY, MOVABLE SHEAVE	6
8	E062306-HYMD-0000	HOLDER, INNER SPRING	1
9	E062307-HYMD-0000	HOLDER, OUTER SPRING	1

SUB ASSEMBLY (D-4), TORQUE SENSING SHEAVE



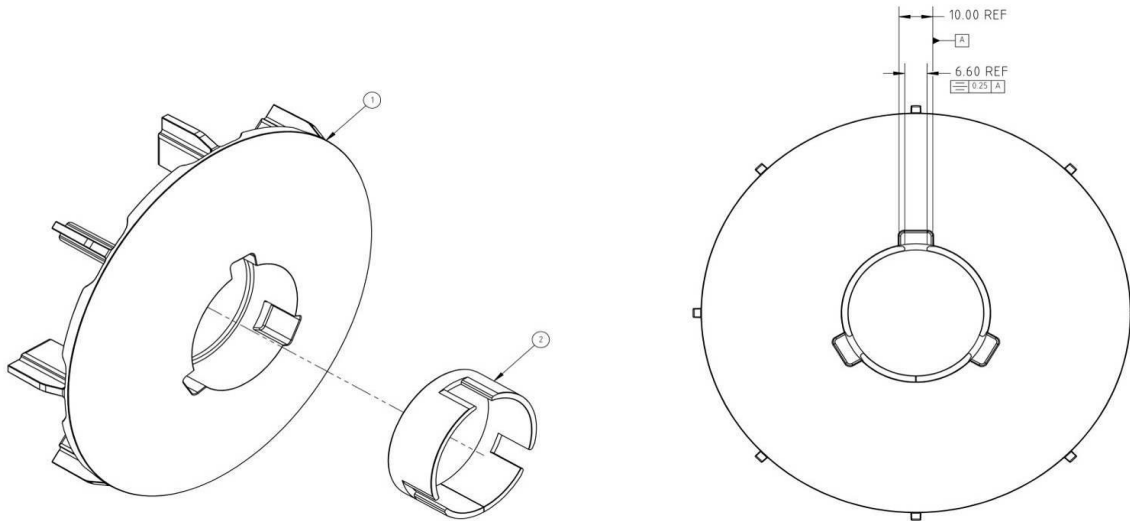
ITEM	PART NUMBER	DESCRIPTION	QTY
1	E062348-HYMD-0000	SHEAVE, TORQUE SENSING	1
2	V100010-HYMD-0000	COMPOSITE BUSHING, 25 x 25	1

SUB ASSEMBLY (D-5), INNER DRIVE SHAFT



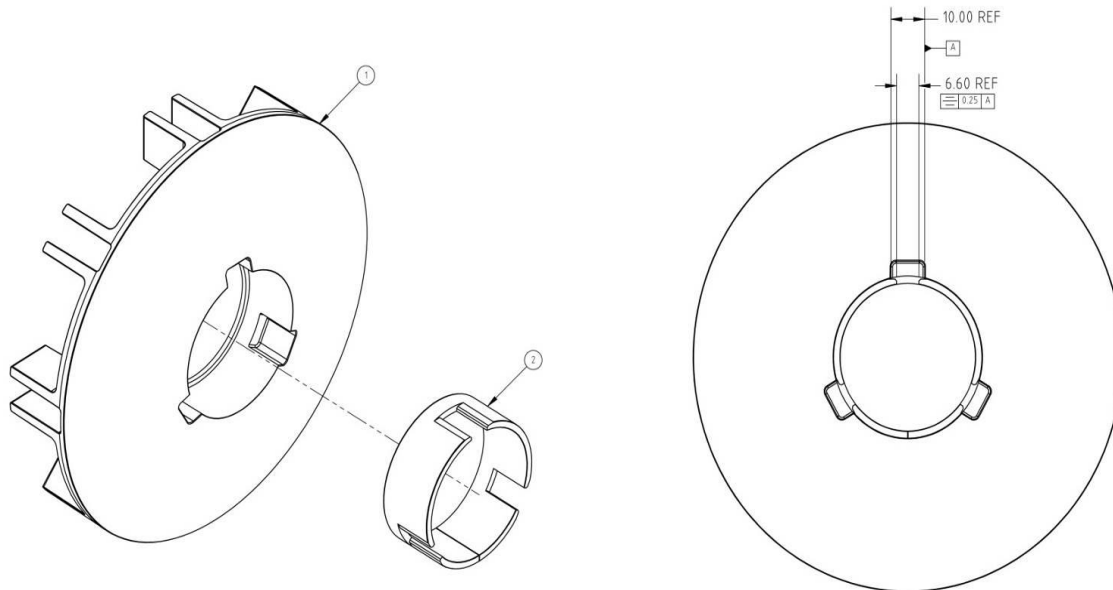
ITEM	PART NUMBER	DESCRIPTION	QTY
1	E081500-HYMD-0000	SHAFT, INNER DRIVE (LONG SHAFT)	1
2	V100002-HYMD-0000	BUSHING, 10 x 12 x 15	2
3	E081502-HYMD-0000	SEAL, OIL, DOUBLE LIP ROTARY, 12 x 20 x 5	1
4	GB/T895.1-12-K	INT CIRCLIP GB/T 895.1 - 12 x 1.0 - P	1
5	HK1216-GB/T290	BEARING, NEEDLE, HK 1216-2RS	2

SUB ASSEMBLY (D-6), MALE MOVABLE SHEAVE



ITEM	PART NUMBER	DESCRIPTION	QTY
1	E062331-HYMD-0000	SHEAVE, MALE MOVABLE, RP10	1
2	E062213-HYMD-0000	BUSHING, MOVABLE SHEAVE	1

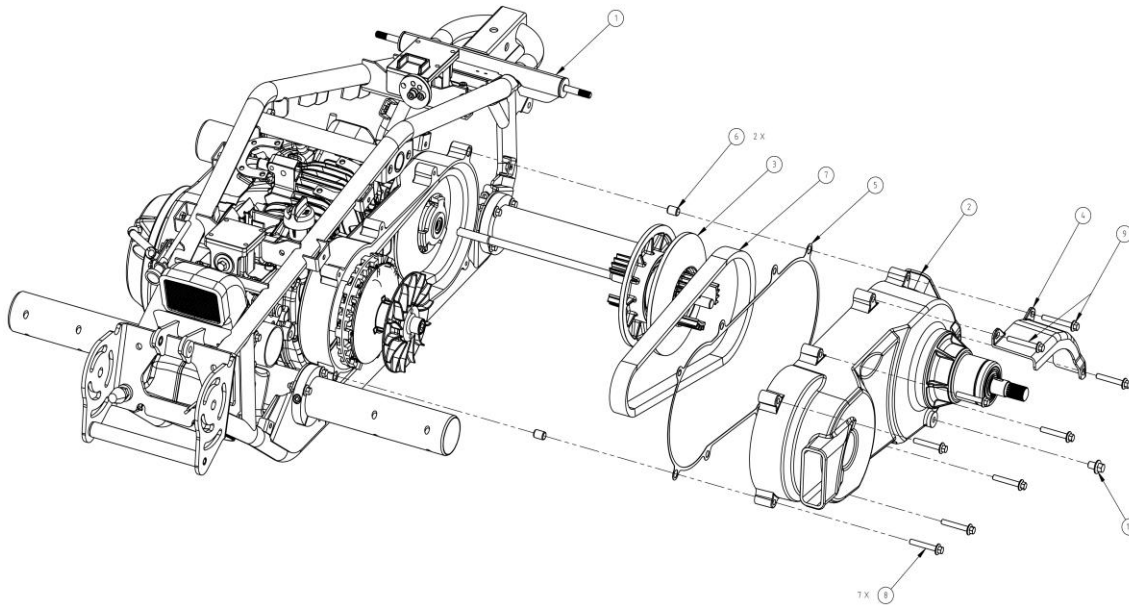
SUB ASSEMBLY (D-7), FEMALE MOVABLE SHEAVE



ITEM	PART NUMBER	DESCRIPTION	QTY
1	E062343-HYMD-0000	SHEAVE, FEMALE MOVABLE, RP10	1

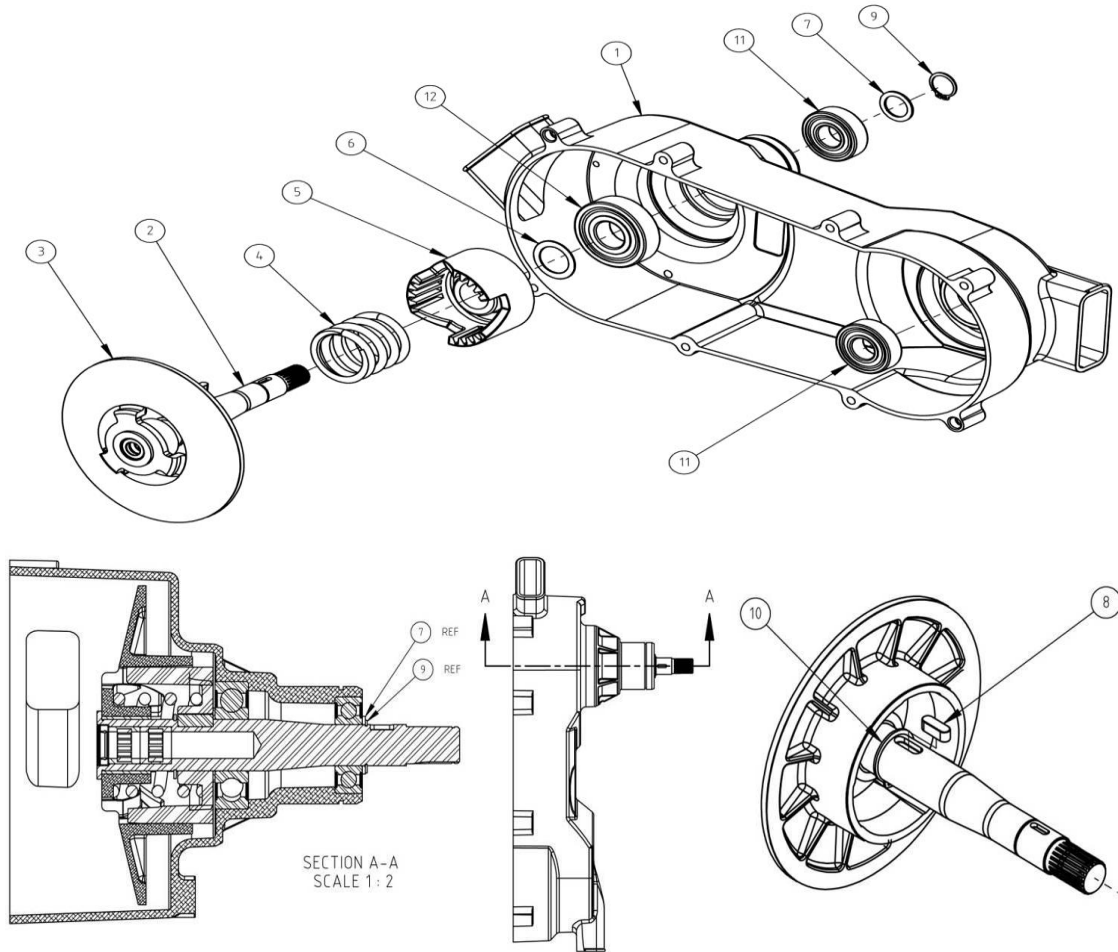
2	E062213-HYMD-0000	BUSHING, MOVABLE SHEAVE	1
---	-------------------	-------------------------	---

(E) ASSEMBLY STAGE 5, OUTER TRANSMISSION CASE



ITEM	PART NUMBER	DESCRIPTION	QTY
1	(D) ASSEMBLY, STAGE 4	ASSEMBLY, STAGE 4, INNER TRANSMISSION CASE	1
2	SUB ASSEMBLY (E-1)	SUB ASSEMBLY, OUTER TRANSMISSION CASE	1
3	SUB ASSEMBLY (E-2)	SUB ASSY, STEERING SHEAVE	1
4	V111204-HYMD-0000	GUARD, TRANSMISSION CASE	1
5	E042004-HYMD-0000	GASKET, TRANSMISSION CASE	1
6	E030001-HYMD-0000	DOWEL, 8.5 x 10 x 14LG	2
7	E082101-HYMD-0000	BELT, 22.4 x 840 VARIABLE SPEED	1
8	GB/T16674.1-M6*40-A3H	HEX FLANGE BOLT GB/T 16674.1 - M6 x 40 - CLASS 8.8 - OZ	6
9	GB/T16674.1-M6*45-A3H	HEX FLANGE BOLT GB/T 16674.1 - M6 x 45 - CLASS 8.8 - OZ	2
10	GB/T16674.1-M8*12-A3H	HEX FLANGE BOLT GB/T 16674.1 - M8 x 12 - CLASS 8.8 - OZ	1

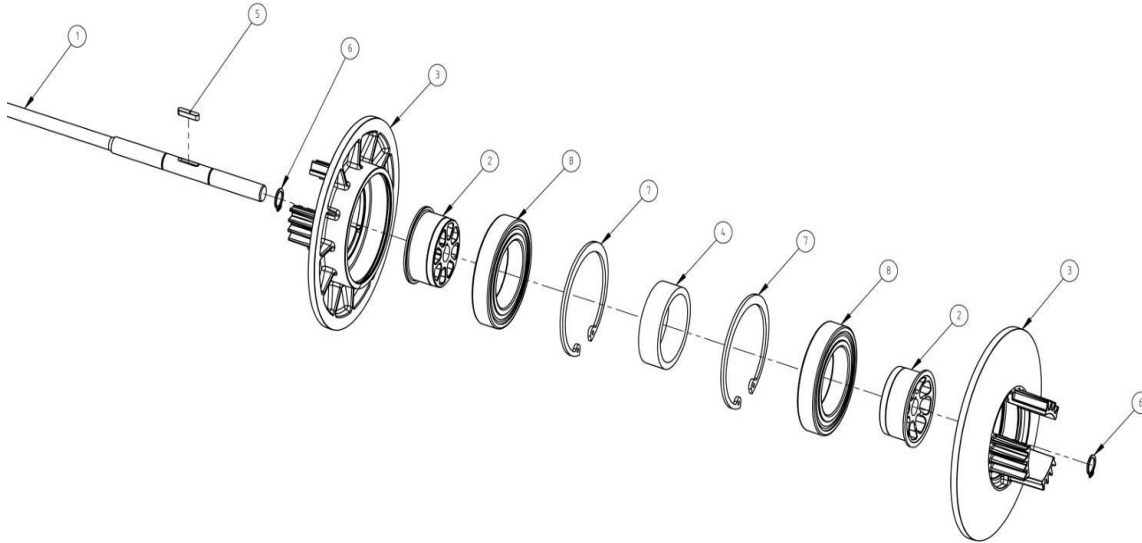
SUB ASSEMBLY (E-1), OUTER TRANSMISSION CASE



ITEM	PART NUMBER	DESCRIPTION	QTY
1	E062210-HYMD-0000	TRANSMISSION CASE, OUTER	1
2	SUB ASSEMBLY (E-3)	SUB ASSY, OUTER DRIVE SHAFT	1
3	SUB ASSEMBLY (D-4)	SUB ASSY, TORQUE SENSING SHEAVE	1
4	E062207-HYMD-0000	SPRING, DRIVEN PULLEY, 520 N, 45 N/mm	1
5	E06234B-HYMD-0000	HELIX, OUTER	1
6	E06210B-HYMD-0000	THRUST WASHER, 25 x 36 x 1	1
7	V111206-HYMD-0000	SHIM, 20 x 28 x 1.50	1
8	GB/T1096-6*18-A2F	PARALLEL KEY GB/T 1096 - 6 x 6 x 18 - YZ	1
9	GB/T894.1-20-K	EXT CIRCLIP GB/T 894.1 - 20 x 1.0 - P	1
10	GB/T894.1-25-K	EXT CIRCLIP GB/T 894.1 - 25 x 1.2 - P	1
11	6204-2RS-GB/T276-94	BEARING, 6204-2RS	2

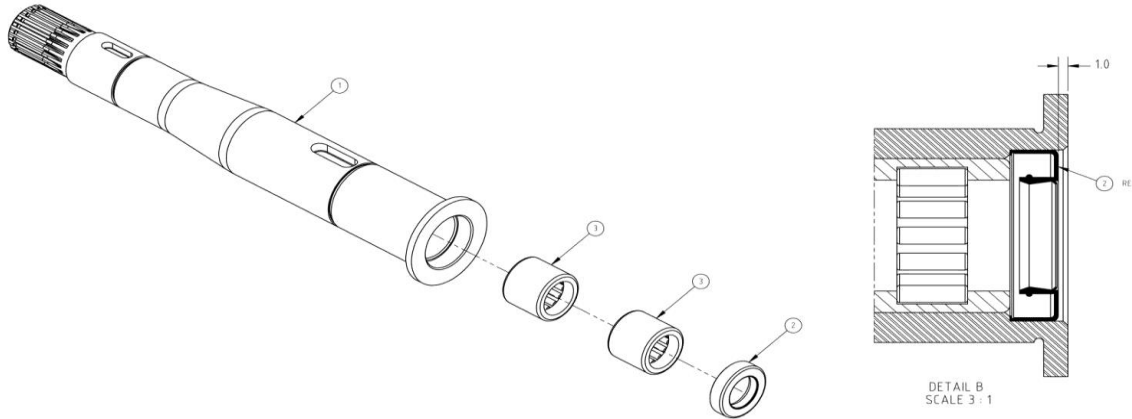
12	6305-2RS-GB/T276-94	BEARING, 6305-2RS	1
----	---------------------	-------------------	---

SUB ASSEMBLY (E-2), STEERING SHEAVE



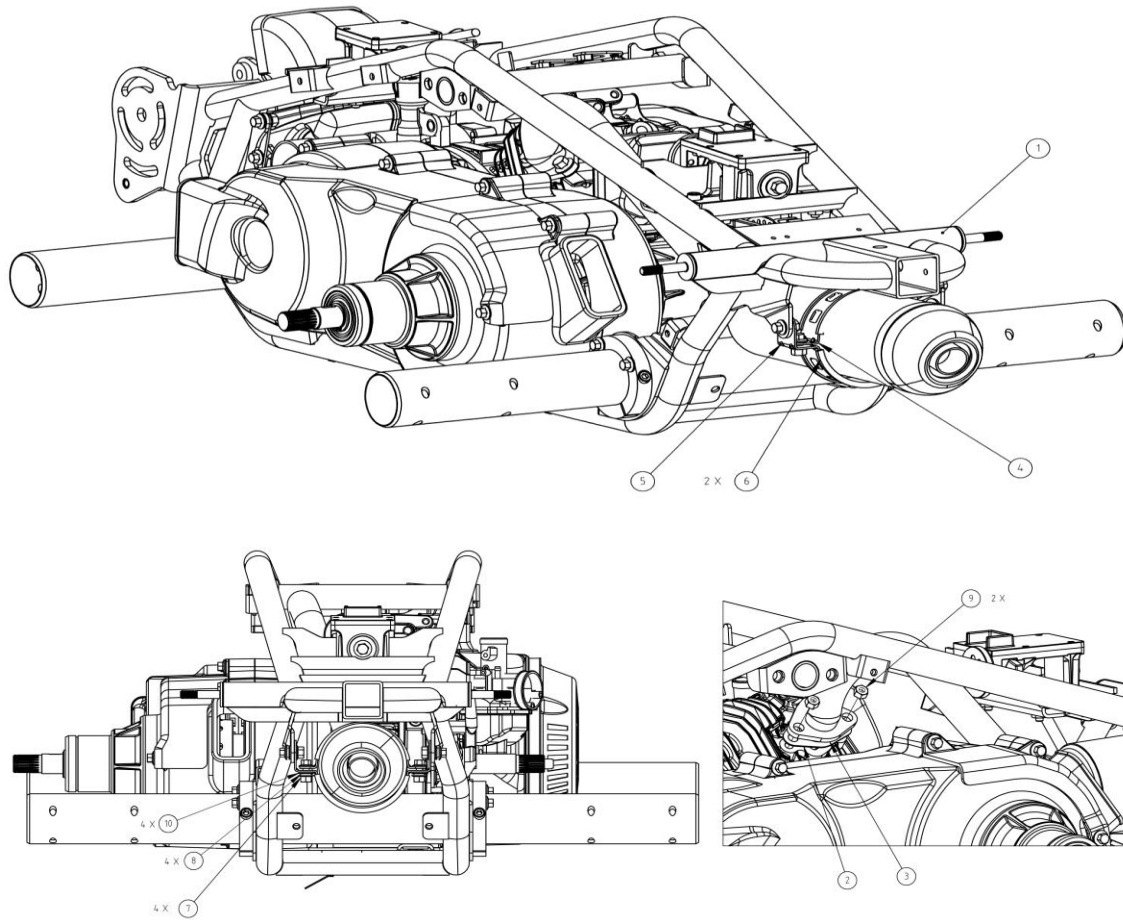
ITEM	PART NUMBER	DESCRIPTION	QTY
1	E062302-HYMD-0000	ROD, STEERING	1
2	E062333-HYMD-0000	HUB, BEARING	2
3	E062349-HYMD-0000	SHEAVE, STEERING	2
4	E06230B-HYMD-0000	SPACER, BEARING	1
5	GB/T1096-4*20-A2F	PARALLEL KEY GB/T 1096 - 4 x 4 x 20 - YZ	1
6	GB/T894.1-12-K	EXT CIRCLIP GB/T 894.1 - 12 x 1.0 - P	2
7	GB/T893.1-80-K	INT CIRCLIP GB/T 893.1 - 80 x 2.5 - P	2
8	6010-2RS-GB/T276-94	BEARING, 6010-2RS	2

SUB ASSEMBLY (E-3), OUTER DRIVE SHAFT



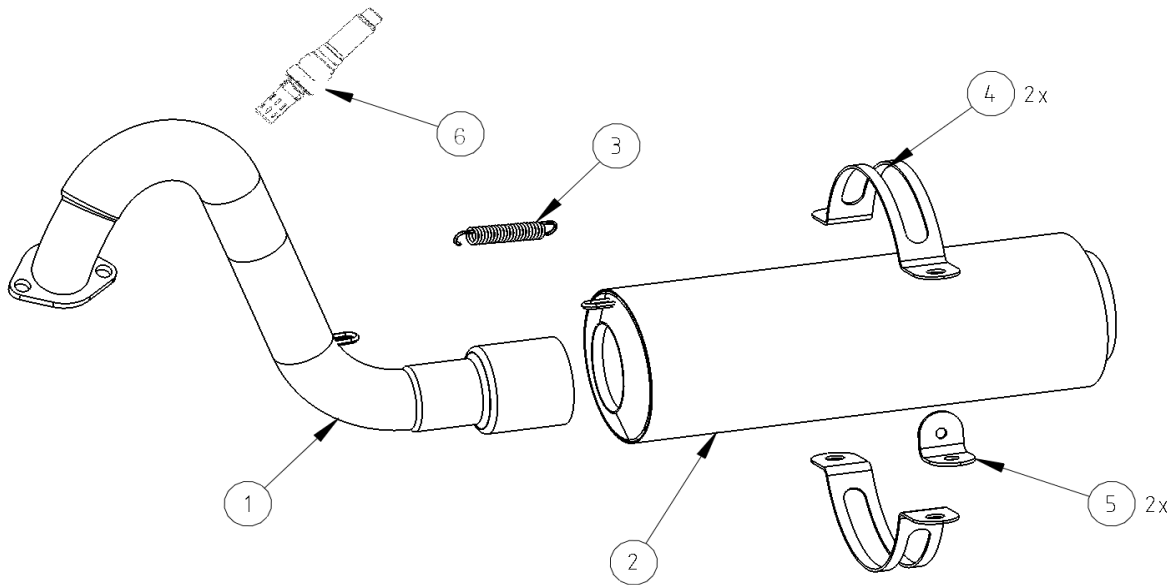
ITEM	PART NUMBER	DESCRIPTION	QTY
1	E081400-HYMD-0000	SHAFT, OUTER DRIVE (SHORT SHAFT)	1
2	E081502-HYMD-0000	SEAL, OIL, DOUBLE LIP ROTARY, 12 x 20 x 5	1
3	HK1216-GB/T290	BEARING, NEEDLE, HK 1216-2RS	2

(F) ASSEMBLY STAGE 6, EXHAUST



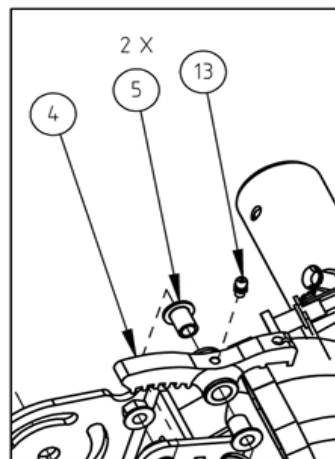
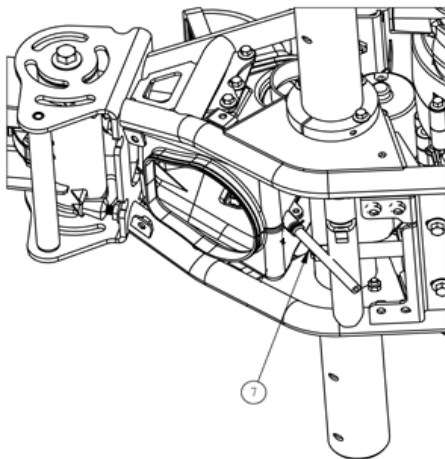
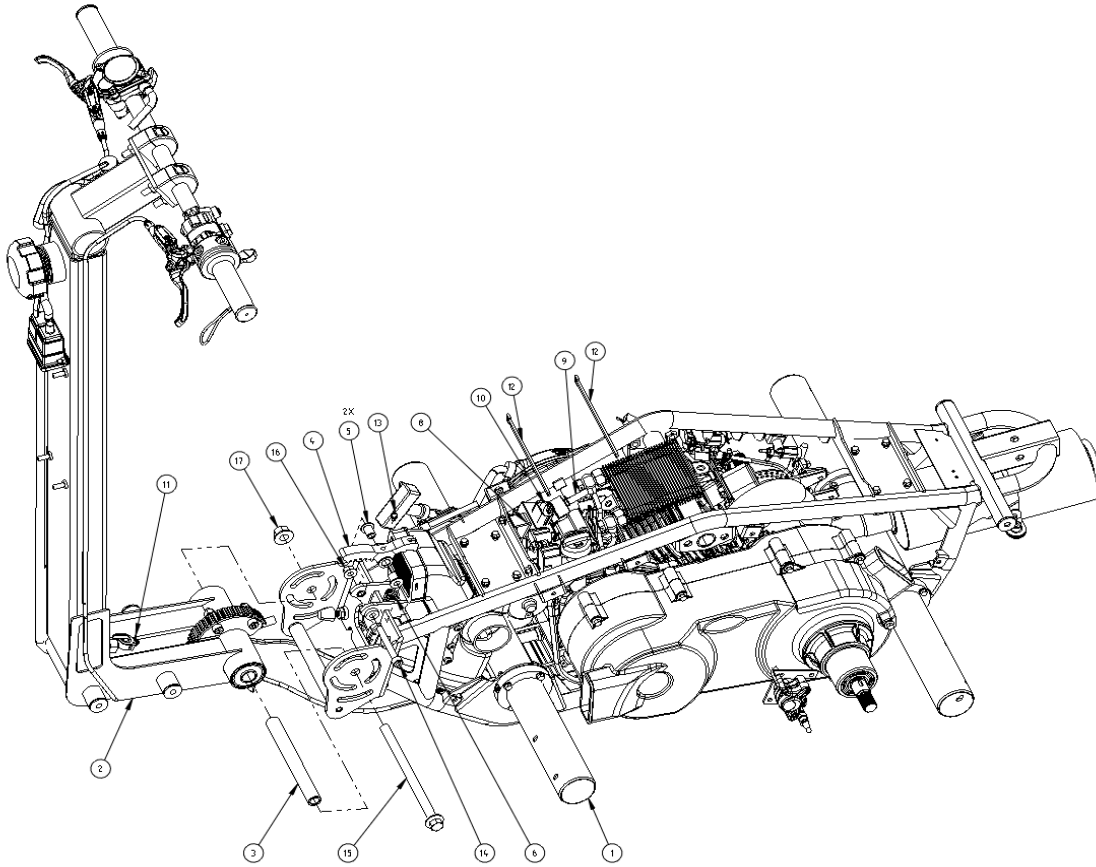
ITEM	PART NUMBER	DESCRIPTION	QTY
1	(E) ASSEMBLY STAGE 5	ASSEMBLY, STAGE 5, OUTER TRANSMISSION CASE	1
2	LIFAN-18215	GASKET, MUFFLER	1
3	SUB ASSEMBLY (F-1)	SUB ASSY,MUFFLER	1
4	V070010-HYMD-1000	EXHAUST STRAPS	2
5	V070012-HYMD-1000	EXHAUST BRACKETS-	2
6	V070011-HYMD-0000	ISOLATOR, VIBRATION	2
7	GB/T16674.1-M6*16-A3H	HEX FLANGE BOLT GB/T 16674.1 - M6 x 16 - CLASS 8.8 - OZ	4
8	GB/T93-6-S	SPRING WASHER GB/T 93 - M6 - OZ	4
9	GB/T6170-M8-A3H	NUT M8 GB/T6170	2
10	GB/T95-6-A3H	PLATE WASHER GB/T 95 - M6 - OZ	4
11	JB/T7940.1-M6-CU	GREASE NIPPLE	1

(F) EXHAUST



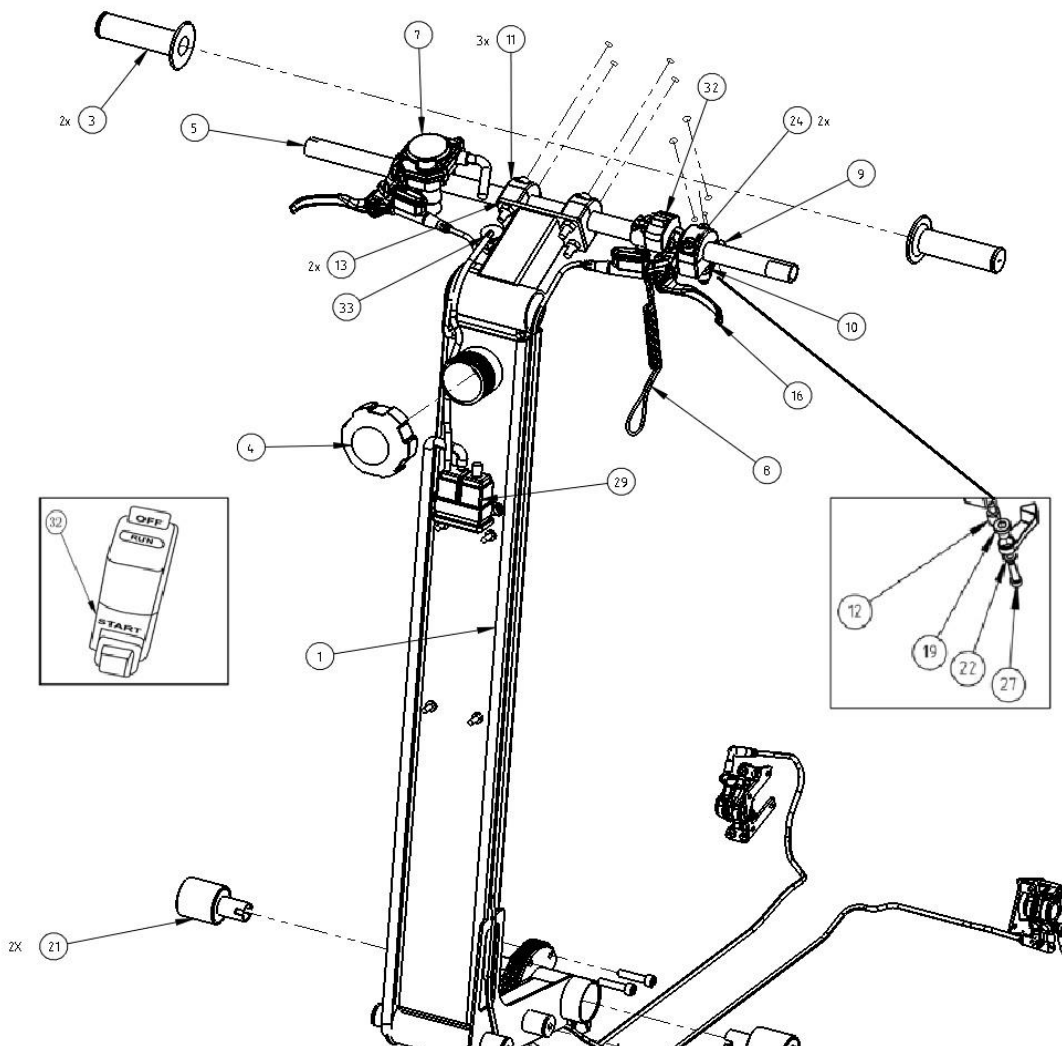
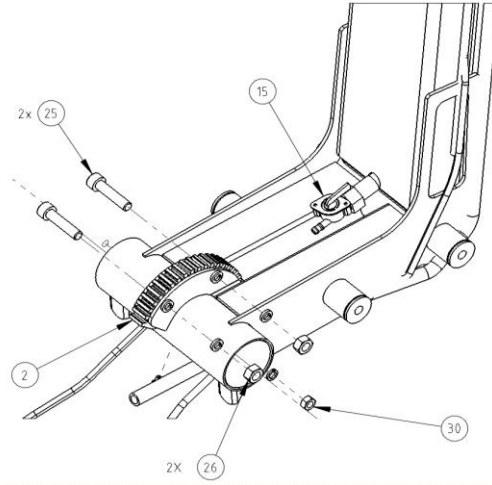
ITEM	PART NUMBER	DESCRIPTION	QTY
1	V071110-HYMD-0000	HEADER PIPE	1
2	V071200-HYMD-0000	MUFFLER	1
3	V071116-HYMD-0000	MUFFLER SPRING	1
4	V070010-HYMD-1000	MUFFLER STRAPS	2
5	V070012-HYMD-1000	MUFFLER MOUNT BRACKETS	2
6	V071300-HYMD-0000	O2 SENSOR	1
7			
8			
9			
10			
11			

(G) ASSEMBLY STAGE 7, HANDLE



ITEM	PART NUMBER	DESCRIPTION	QTY
1	V121002-HYMD-0000	ASSEMBLY, STAGE 6, EXHAUST	1
2	SUB ASSEMBLY (G-1)	SUB ASSEMBLY, HANDLE	1
3	V103108-HYMD-0000	SHAFT HANDLE PIVOT	1
4	V103081-HYMD-0000	ARM LOCK HANDLE	1
5	V103050-HYMD-0000	BUSHING, PIVOT LOCK ARM	2
6	V090321-HY2-0000	SPRING, HANDLE LOCK	1
7	V241020-HYMD-0000	DRAIN HOSE, 320	1
8	V063520-HYMD-2000	FUEL HOSE 680	1
9	V063510-HYMD-2000	FUEL HOSE 240	1
10	16910-FYT3A-000	FILTER, FUEL	1
11	V063000-HYMD-1000	FUEL VALVE	1
12	91165-FYGT2-000	ZIP TIE 6MM x 150LG	2
13	JB/T7940.1-M6-CU	GREASE FITTING M6	1
14	GB/T70.1-M8*65-12.9-A2G	SOCKET HEAD SCREW GB/T 70.1 - M8 x 65 - CLASS 12.9 - OZ	1
15	GB/T16674.2-M12*1.25*190-A3H	HEX FLANGE BOLT GB/T 16674.2 - M12 x 1.25 x 190 - CLASS 8.8 - OZ	1
16	GB/T6183.1-M8-A2G	HEX FLANGE NUT GB/T 6187.1 - M8 - CLASS 8 - OZ	1
17	GB/T6187.2-M12*1.25-A3H	HEX FLANGE NUT GB/T 6187.2 - M12 x 1.25 - CLASS 8 - OZ	1

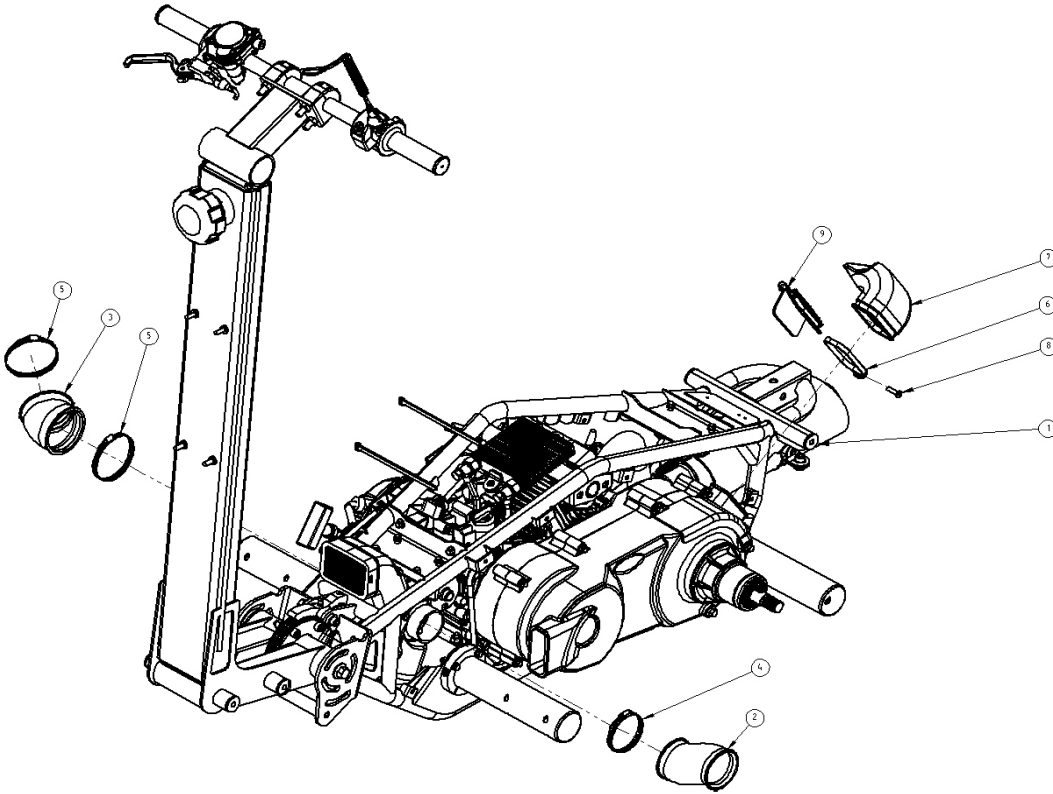
SUB ASSEMBLY (G-1), HANDLE





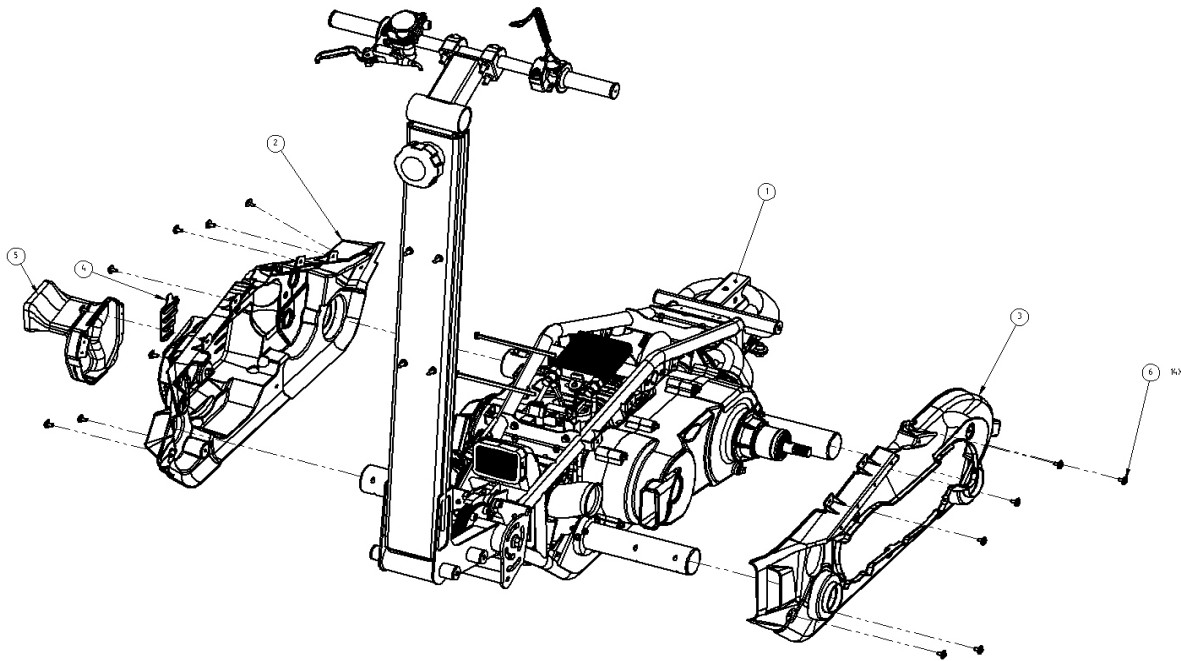
ITEM	PART NUMBER	DESCRIPTION	QTY
1	V061100-HYMD-1B03	WELDMENT, HANDLE	1
2	V103082-HYMD-0000	LOCK BODY HANDLE	1
3	V090001-FYBT22-0000	GRIP, HANDLE BAR	2
4	V251300-HY2-0000	CAP, FUEL	1
5	V090101-HYMD-1B00	HANDLE BAR	1
7	V090600-HYMD-0000	THROTTLE	1
8	V253100-HYMD-1000	SAFETY LANYARD	1
9	V090301-HYMD-0000	LEVER, HANDLE LOCK	1
10	V090043-HYMD-0000	CLAMP, LOCK LEVER BOTTOM	1
11	V090041-HYMD-00ZL	CLAMP, HANDLE TOP	3
12	V090303-HYMD-0000	CABLE STOP, HANDLE LOCK	1
13	V090042-HYMD-0000	CLAMP, HANDLEBAR BOTTOM	2
15	V063000-HYMD-0000	FUEL VALVE	1
16	V151000-HYMD-1000	BRAKE SYSTEM ASSEMBLY	1
17	V090410-HYMD-0000	CABLE, THROTTLE	1
18	V090320-HYMD-0000	CABLE, HANDLE LOCK	1
19	V090302-HYMD-0000	BUSHING, HANDLE LOCK	1
21	V103052-HYMD-0000	RUBBER BUSHING, HANDLE	2
22	GB/T95-6-A3H	PLAIN WASHER GB/T 96 - M6 - OZ	1
23	GB/T70.1-M8*45-12.9-A2G	SOCKET HEAD SCREW GB/T 70.1 - M8 x 55 - CLASS 8.8 - OZ	4
24	GB/T70.1-M8*30-A2G	SOCKET HEAD SCREW GB/T 70.1 - M8 x 30 - CLASS 8.8 - OZ	2
25	GB/T70.1-M8*35-12.9-A2G	SOCKET HEAD SCREW GB/T 70.1 - M8 x 35 - CLASS 12.9 - A3H	2
26	GB/T6170-M8-A3H	HEX NUT GB/T 6170 - M8 - CLASS 8 - OZ	2
27	GB/T70.1-M6*25-A2G	SOCKET HEAD SCREW GB/T 70.1 - M6 x 25 - CLASS 8.8 - OZ	1
29	V065040-HYMD-0000	CARBON CANISTER	1
30	GB/T6183.1-M6-A2G	HEX FLANGE NUT GB/T 6183.1 - M6 - CLASS 8 - OZ	1
32	V204100-HYMD-2000	HANDLE SWITCH, LH (LED)	1
33	V065030-HYMD-0000	ROLL OVER VALVE	1
34	V065020-HYMD-0B03	ROLL OVER VALVE BRACKET	1
35	GB/T818-M5*10-A2G	PAN HEAD SCREW, PHILLIPS GB/T 818 - M5 x 10 - CLASS 8.8 - OZ	2
	V065010-HYMD-0B03	CARBON CANISTER BRACKET	1
37	GB/T6183.1-M6-A2G	HEX FLANGE NUT GB/T 6183.1 - M6 - CLASS 8 - OZ	1
38	V065012-HYMD-1000	CARBON CANISTERTUBE, TO ROLL OVER VALVE 7x4x250	1

(H) ASSEMBLY STAGE 8, CVT EXHAUST DUCT



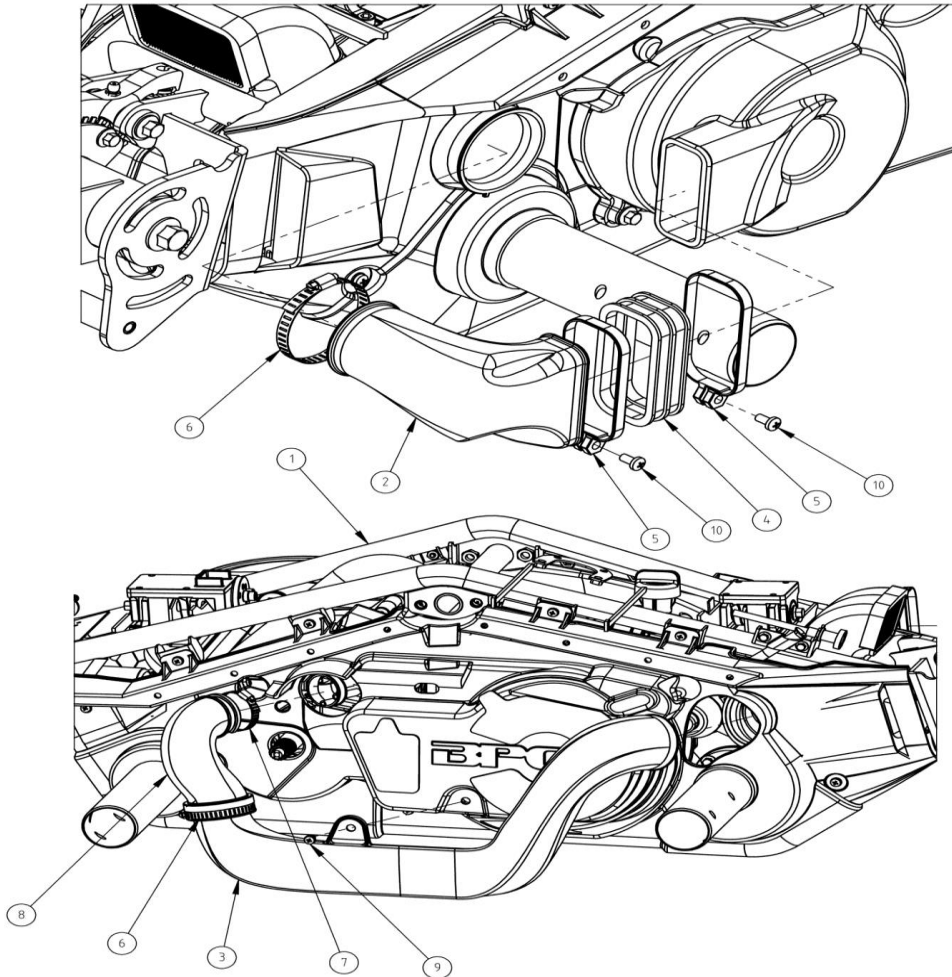
ITEM	PART NUMBER	DESCRIPTION	QTY
1	(G) ASSEMBLY STAGE 7	ASSEMBLY, STAGE 7, HANDLE	1
2	V241337-HYMD-0000	RUBBER BOOT, AIR BOX ANGLED	1
3	V241336-HYMD-0000	RUBBER BOOT, AIR BOX ANGLED	1
4	V240111-HYMD-0000	HOSE CLAMP, 8 x 40-64	1
5	V240112-HYMD-0000	HOSE CLAMP, 8 x 46-70	2
6	E015000-HYMD-0000	CLAMP, SQUARE	1
7	V241321-HYMD-0000	BOOT, CVT DUCT EXIT	1
8	GB/T818-M5*20-A2G	PAN HEAD SCREW, PHILLIPS GB/T 818 - M5 x 20 - CLASS 8.8 - OZ	1
9	V241320-HYMD-0000	CHECK VALVE ASSEMBLY	1

(I) ASSEMBLY STAGE 9, MUD GUARDS



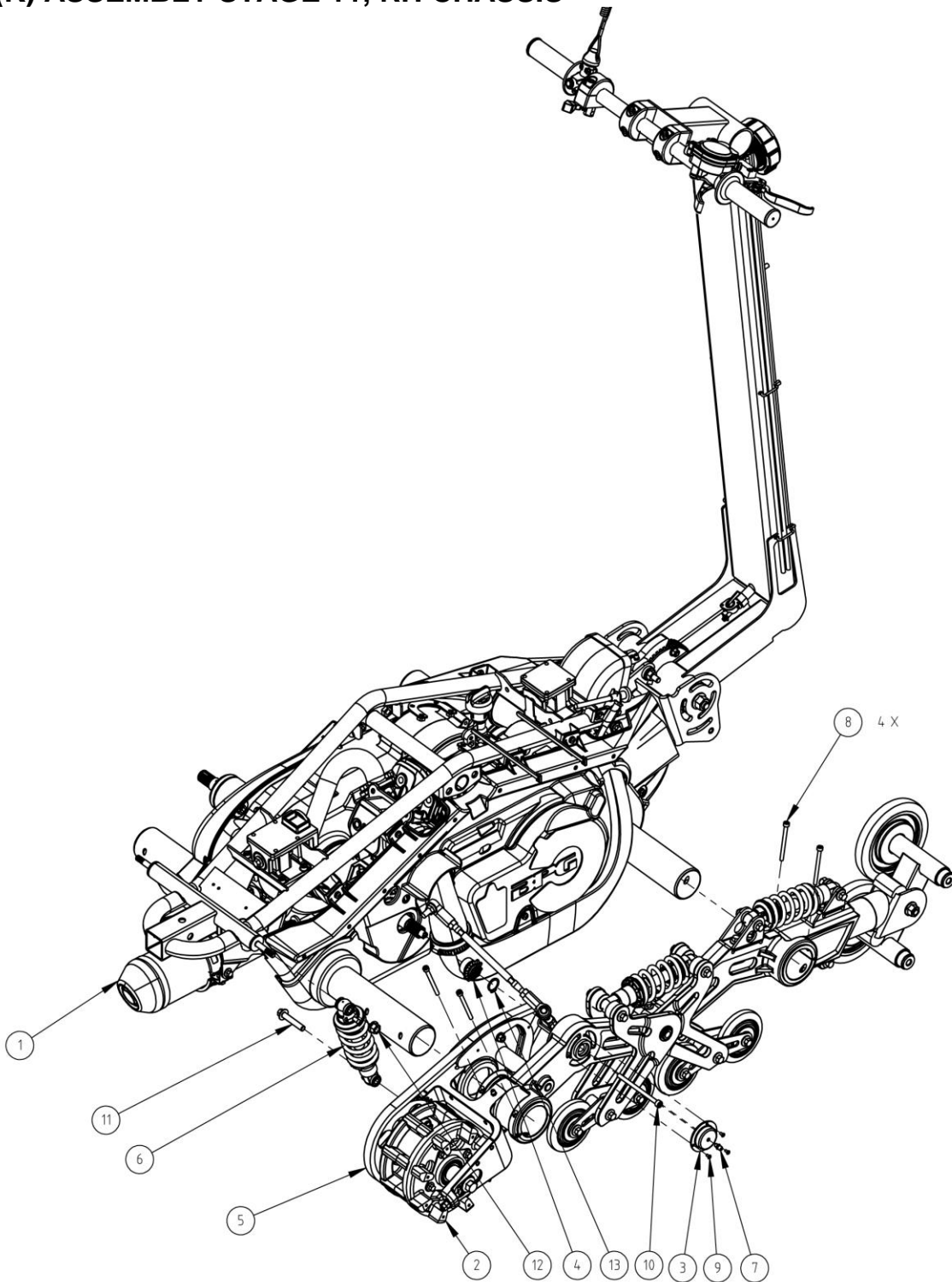
ITEM	PART NUMBER	DESCRIPTION	QTY
1	(H) ASSEMBLY STAGE 8	ASSEMBLY, STAGE 8, CVT EXHAUST DUCT	1
2	V023011-HYMD-0B00	MUD GUARD, ENGINE SIDE	1
3	V023041-HYMD-0B00	MUD GUARD, TRANSMISSION SIDE	1
4	V023015-HYMD-0000	RUBBER PLUG, MUD GUARD, ENGINE SIDE	1
5	E034200-HYMD-0000	ENGINE COOLING DUCT	1
	E034205-HYMD-0000	FILTER BAG - ENGINE COOLING DUCT	1
6	GB/T9074.6-M5*12-4.8-S3-L-A3H	SCREW & WASHER GB/T 9074.6 - M5 x 12 - OZ	14

(J) ASSEMBLY STAGE 10, AIR DUCTS



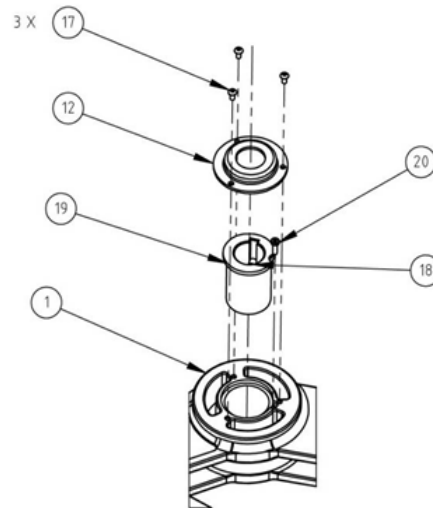
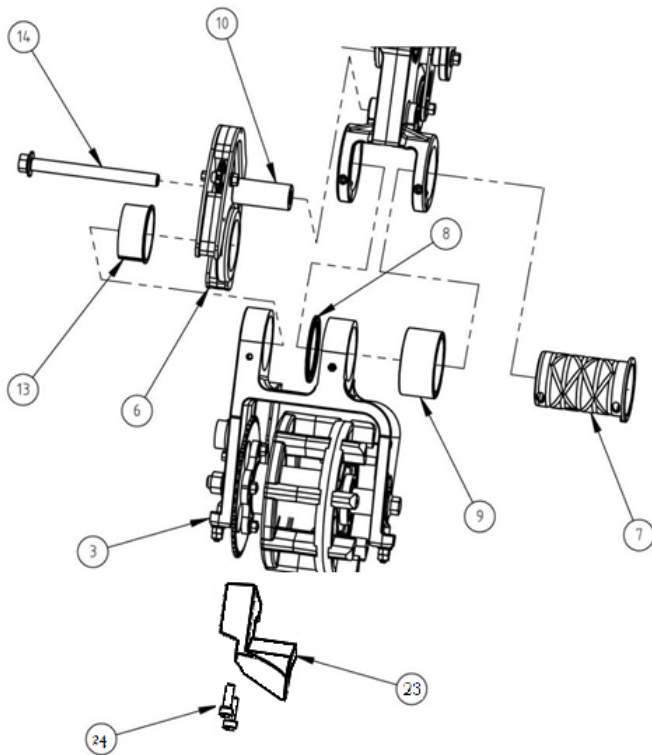
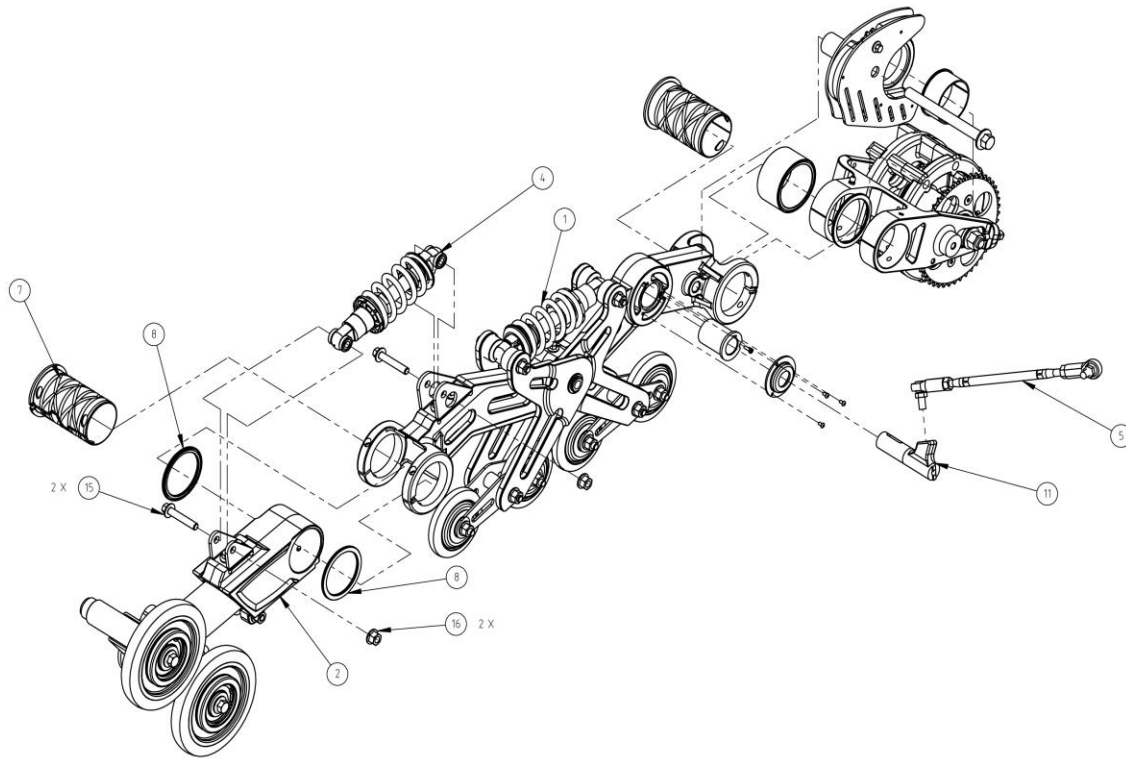
ITEM	PART NUMBER	DESCRIPTION	QTY
1	(I) ASSEMBLY STAGE 9	ASSEMBLY, STAGE 9, MUD GUARDS	1
2	V24101B-HYMD-0000	AIR DUCT, CVT INTAKE	1
3	V24101A-HYMD-0000	INTAKE DUCT	1
4	V241322-HYMD-0000	BOOT, CVT DUCT	1
5	E015000-HYMD-0000	CLAMP, SQUARE	2
6	V240111-HYMD-0000	HOSE CLAMP, 8 x 40-64	2
7	V240120-HYMD-0000	HOSE CLAMP, 8 x 27-51	1
8	V241338-HYMD-0000	CARBURETOR BOOT	1
9	GB/T9074.6-M5*12-4.8-S3-L-A3H	SCREW & WASHER GB/T 9074.6 - M5 x 12 - OZ	1
10	GB/T818-M5*20-A2G	PAN HEAD SCREW, PHILLIPS GB/T 818 - M5 x 20 - CLASS 8.8 - OZ	2

(K) ASSEMBLY STAGE 11, RH CHASSIS



ITEM	PART NUMBER	DESCRIPTION	QTY
1	(J) ASSEMBLY STAGE 10	ASSEMBLY, STAGE 10, AIR DUCTS	1
2	SUB ASSEMBLY (K-1)	SUB ASSEMBLY, RH CHASSIS	1
3	V131207-HYMD-0000	DIRT COVER, STEERING OUTSIDE	1
4	V125012-HYMD-0000	SPROCKET, ANSI #35 - 10 TEETH	1
5	06A-88-Ni-GB/T14212	ROLLER CHAIN, #35, O-RING	1
6	V143000-HYMD-1000	SHOCK ABSORBER, REAR(550LBS)	1
7	JB/T7940.1-M6-CU	GREASE FITTING M6	1
8	GB/T70.1-M5*60-A2G	SOCKET HEAD SCREW GB/T 70.1 - M5 x 60 - CLASS 8.8 - OZ	4
9	GB/T70.1-M3*10-A2G	SOCKET HEAD SCREW GB/T 70.1 - M3 x 10 - CLASS 8.8 - OZ	3
10	GB/T70.1-M6*90-A2G	SOCKET HEAD SCREW GB/T 70.1 - M6 x 90 - CLASS 8.8 - OZ	1
11	TB/T70.1-M8*45-12.9-A2G	HEX HEAD BOLT GB/T 5783 - M8 x 45 - CLASS 8.8 - OZ	1
	GB/T95-8-A3H	FASTENER	1
12	TB/T70.1-M8*45-12.9-A2G	HEX HEAD BOLT GB/T 5783 - M8 x 45 - CLASS 8.9 - OZ	1
	GB/T95-8-A3H	FASTENER	1
13	GB/T894.1-18-K	EXT CIRCLIP GB/T 894.1 - 18 x 1.2 - P	1

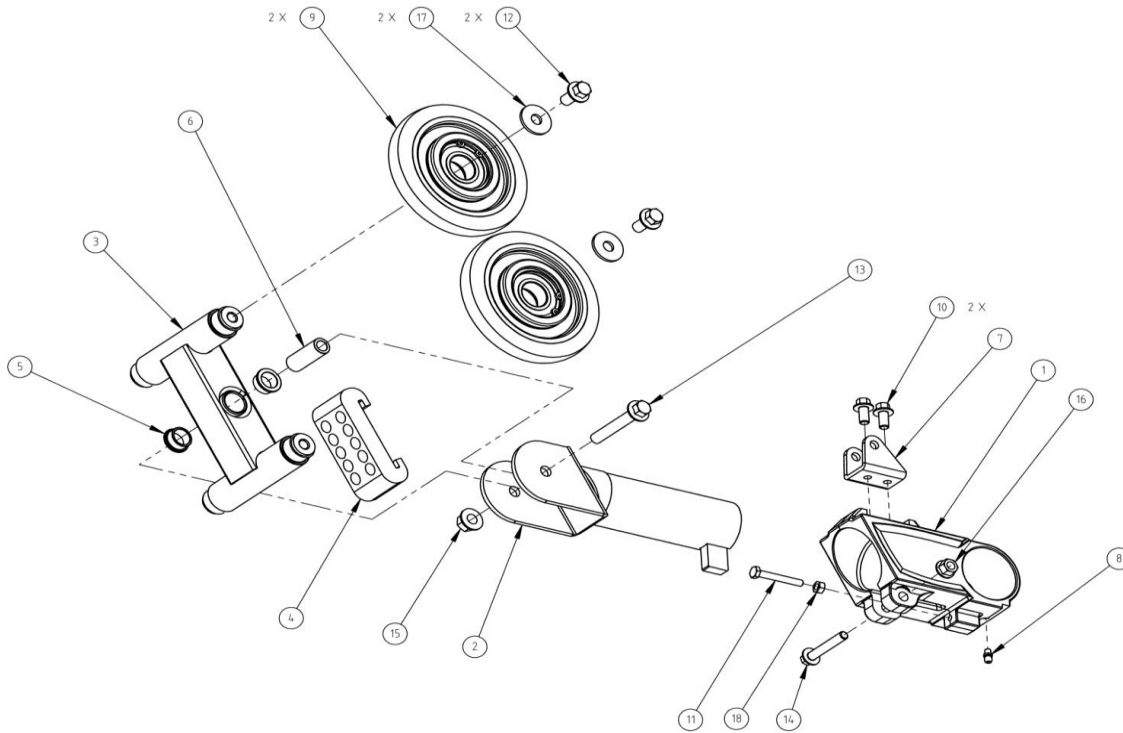
SUB ASSEMBLY (K-1), RH CHASSIS



ITEM	PART NUMBER	DESCRIPTION	QTY
1	SUB ASSEMBLY (K-2)	SUB ASSEMBLY, RH MIDDLE SUSPENSION	1
2	SUB ASSEMBLY (K-3)	SUB ASSEMBLY, RH FRONT SUSPENSION	1
3	SUB ASSEMBLY (K-4)	SUB ASSEMBLY, RH REAR SWING ARM	1
4	V131700-HYMD-0000	SHOCK ABSORBER,FRONT(880LBS)	1
5	SUB ASSEMBLY (K-5)	SUB ASSEMBLY, STEERING ROD	1
6	SUB ASSEMBLY (K-6)	SUB ASSEMBLY, GUIDE, CHAIN	1
7	V121005-HYMD-0000	SLEEVE, PIVOT SLEEVE	2
8	V141006-HYMD-0000	WASHER, 3MM X 54MM X 66MM	3
9	V141011-HYMD-0000	SPACER, REAR SWING ARM	1
10	V126205-HYMD-0000	SPACER, CHAIN GUIDE LONG	1
11	V101080-HYMD-0000	SHIFTING ARM, STEERING	1
12	V131208-HYMD-0000	DIRT COVER, STEERING INSIDE	1
13	V121008-HYMD-0000	BUSHING, STEERING BLOCK	1
14	GB/T16674.2-M12*1.25*130-A3H	BUSHING, REAR SUPPORT LONG	1
15	GB/T16674.1-M8*45-A3H	HEX FLANGE BOLT GB/T 16674.1 - M8 x 45 - CLASS 8.8 - OZ	1
16	GB/T6183.1-M8-A2G	HEX FLANGE NUT GB/T 6187.1 - M8 - CLASS 8 - OZ	2
17	GB/T70.1-M3*10-A2G	FASTENER	3
18	GB/T1096-5*18-A2F	PARALLEL KEY GB/T 1096 - 5 x 5 x 18 - YZ	1
19	V101101-HYMD-0000	BUSHING, STEERING BLOCK	1
20	GB/T70.2-M3*6-A2G	BUTTON HEAD SCREW GB/T 70.2 - M3 x 6 - CLASS 8.8 - OZ	1
21	V131203-HYMD-0000	GASKET, DUST PROOF COVER	1
22	90716-HYMD-0000	RUBBER SEAL	1
23	V261000-HYMD-0000	ICE BREAKER, RIGHT SIDE	1
24	GB/T70.1-M6*20-A2G	SOCKET HEAD SCREW GB/T 70.1 - M6 x 20 - CLASS 8.8 - OZ	

ITEM	PART NUMBER	DESCRIPTION	QTY
1	V131120-HYMD-0000	SUB FRAME, ENGINE SIDE	1
2	SUB ASSEMBLY (K-6)	SUB ASSMEBLY, LOWER BOGEY WHEEL	2
3	V132000-HYMD-0000	ARM, MIDDLE SUSPENSION	4
4	V014001-HYMD-0000	HEIGHT ADJUSTER, SUB FRAME	1
5	V132105-HYMD-0000	SHAFT, MAIN PIVOT MIDDLE SUSPENSION	1
6	V132104-HYMD-0000	THRUST WASHER, MIDDLE SUSPENSION MAIN SHAFT	2
7	V131600-HYMD-1000	SHOCK ABSORBER,MIDDLE(550LBS)	1
8	V143101-HYMD-0000	PLASTIC SPACER, SHOCK LIMITING BLOCK	4
9	V100003-HYMD-1000	BUSHING, ϕ 20-16*10	4
	V100011-HYMD-0000	BUSHING, ϕ 20-16*15.3	2
10	V143006-HYMD-0000	SLEEVE, SHOCK PIVOT	4
11	V100005-HYMD-0000	BUSHING, LOWER BOGIE WHEEL	4
12	V013711-HYMD-0000	SHOCK BRACKET, SUB FRAME	1
13	GB/T16674.1-M8*16-10.9-A3H	HEX FLANGE BOLT GB/T 16674.1 - M8 x 16 - CLASS 8.8 - OZ	2
14	GB/T16674.1-M6*16-A3H	HEX FLANGE BOLT GB/T 16674.1 - M6 x 16 - CLASS 8.8 - OZ	1
15	GB/T16674.1-M8*75-A3H	HEX FLANGE BOLT GB/T 16674.1 - M8 x 75 - CLASS 8.8 - OZ	4
16	GB/T894.1-16-K	EXT CIRCLIP GB/T 894.1 - 16 x 1.0 - P	2
17	GB/T6183.1-M8-A2G	HEX FLANGE NUT GB/T 6187.1 - M8 - CLASS 8 - OZ	4

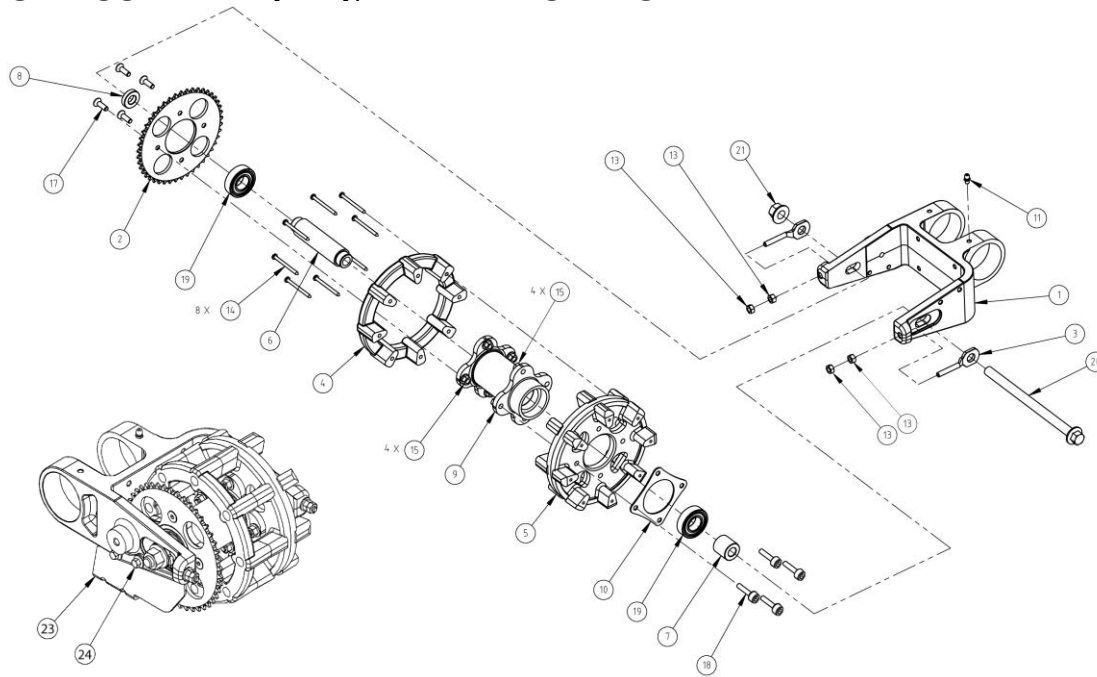
SUB ASSEMBLY (K-3), RH FRONT SUSPENSION



ITEM	PART NUMBER	DESCRIPTION	QTY
1	V133000-HYMD-0000	SWING ARM, FRONT	1
2	V114100-HYMD-1B03	WELDMENT 64MM FRONT SWINGARM	1
3	V171200-HYMD-0B03	WELDMENT, FRONT BOGIE	1
4	V133102-HYMD-0000	BUMPER, FRONT SUSPENSION	1
5	V100011-HYMD-0000	BUSHING FLANGE 12x16x20/2x10L	2
6	V171201-HYMD-0000	SPACER, FRONT TRUCK	1
7	V114118-HYMD-1000	SHOCK BRACKET, 64MM FRONT SWING ARM	1
8	JB/T7940.1-M6-CU	GREASE FITTING M6	1
9	SUB ASSEMBLY (K-7)	SUB ASSY, 130 mm BOGIE WHEEL	2
10	GB/T16674.1-M8*16-10.9-A3H	HEX FLANGE BOLT GB/T 16674.1 - M8 x 16 - CLASS 8.8 - OZ	2
11	GB/T5783-M6*40-A3H	HEX HEAD BOLT GB/T 5783 - M6 x 40 - CLASS 8.8 - OZ	1
12	GB/T16674.2-M10*1.25*20-A3H	HEX FLANGE BOLT GB/T 16674.2 - M10 x 1.25 x 20 - CLASS 8.8 - OZ	2
13	GB/T16674.2-M10*1.25*65-A3H	HEX FLANGE BOLT GB/T 16674.2 - M10 x 1.25 x 65 - CLASS 8.8 - OZ	1
14	GB/T16674.1-M8*50-A3H	HEX FLANGE BOLT GB/T 16674.1 - M8 x 50 - CLASS 8.8 - OZ	1
15	GB/T6187.2-M10*1.25-A3H	HEX FLANGE NUT GB/T 6187.2 - M10 x 1.25 - CLASS 8 - OZ	1
16	GB/T6183.1-M8-A2G	HEX FLANGE NUT GB/T 6187.1 - M8 - CLASS 8 - OZ	1
17	GB/T96.1-10-A2G	PLAIN WASHER, LARGE SERIES GB/T 96.1 - M10 - OZ	2

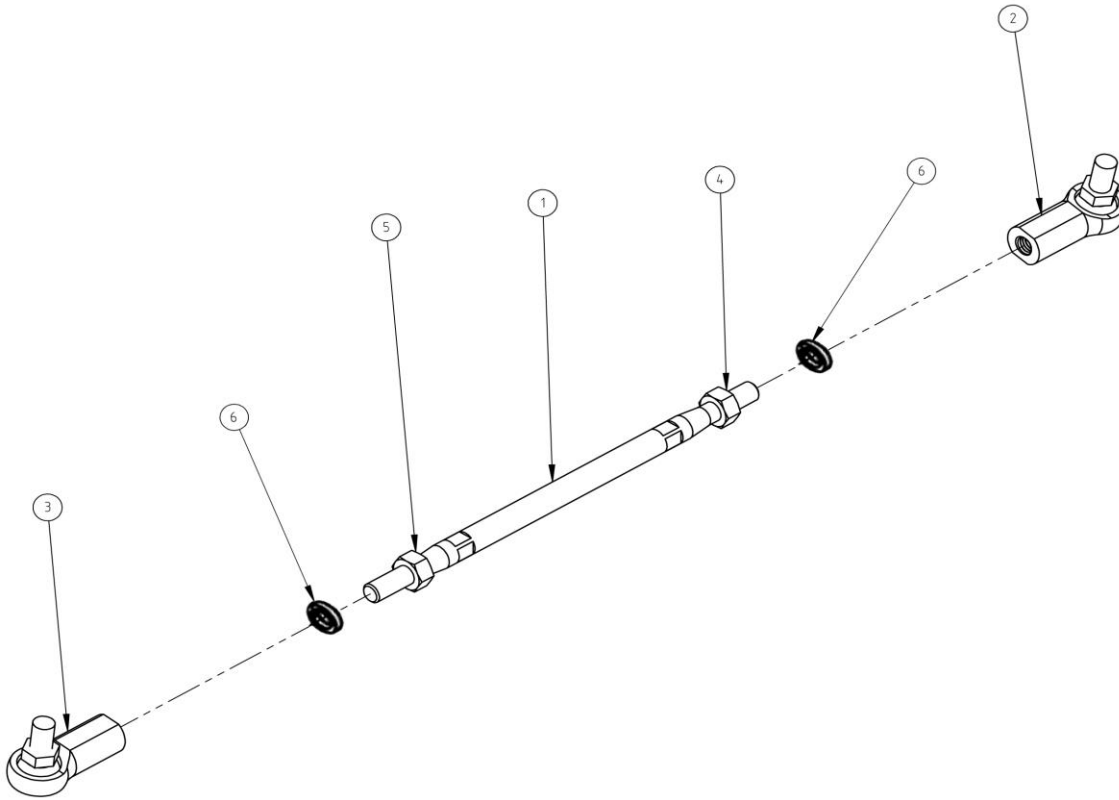
18	GB/T6170-M6-A2G	HEX NUT GB/T 6170 - M6 - CLASS 8 - OZ	1
----	-----------------	---------------------------------------	---

SUB ASSEMBLY (K-4). RH REAR SWING ARM



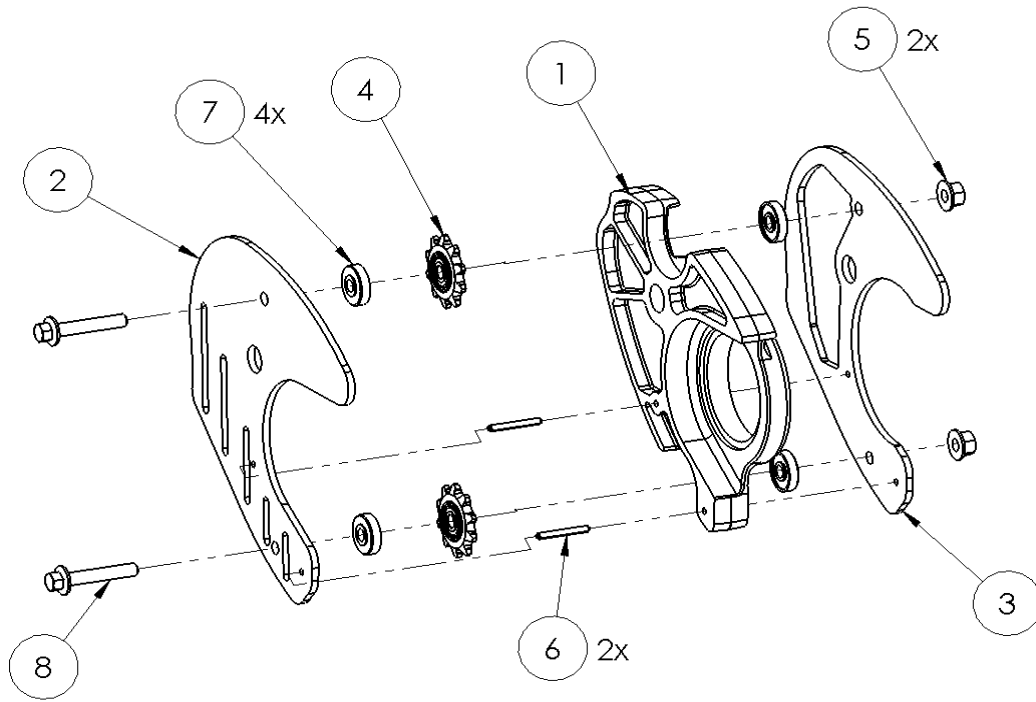
ITEM	PART NUMBER	DESCRIPTION	QTY
1	V141000-HYMD-0000	SWING ARM, REAR	1
2	V125001-HYMD-1000	SPROCKET, 45 TOOTH #35 CHAIN	1
3	V141320-HYMD-0000	TENSIONER, TRACK	2
4	V125019-HYMD-0000	GUIDE, DRIVE TRACK SPROCKET	1
5	V125018-HYMD-0000	DRIVE SPROCKET, TRACK MOLDED	1
6	V125013-HYMD-0000	SPACER, DRIVE SPROCKET INNER	1
7	V125014-HYMD-0000	SPACER, LONG OUTER DRIVE SPROCKET	1
8	V125016-HYMD-0000	SPACER, SHORT OUTER DRIVE SPROCKET	1
9	V125005-HYMD-0000	DRIVE SPROCKET MOUNT RIGHT (MACHINED)	1
10	V125020-HYMD-0000	WASHER, DRIVE SPROCKET	1
11	JB/T7940.2-90°-M6-CU	90 DEGREE GREASE NIPPLE	1
13	GB/T6170-M6	GB/T6170 - M6 NUT	4
14	GB/T845-ST5.0*80-A3H	PAN HEAD TAPPING SCREW GB/T 845 - ST5.0 x 80 - OZ	8
15	GB/T6183.1-M6-A2G	FASTENER	8
17	GB/T70.3-M6*20-A2G	FASTENER	4
18	GB/T70.1-M6*30-12.9-A2G	SOCKET BOLT GB/T 16674.1 - M6 x 30 - CLASS 12.9 - OZ	4
19	6004-2RS-GB/T276-94	BEARING, 6004-2RS	2
20	GB/T16674.2-M12*1.25*185-A3H	HEX FLANGE BOLT GB/T 16674.2 - M12 x 1.25 x 185 - CLASS 8.8 - OZ	1
21	GB/T6187.2-M12*1.25-A3H	GB/T70.1-M6*30-12.9-A2G	1
22	GB/T77-M6*6-A3H	FASTENER	3
23	V124008-HYMD-1B03	4MM CHAIN GUARD	1
24	GB/T16674.1-M6*16-A3H	FASTENER	2

SUB ASSEMBLY (K-5), STEERING ROD



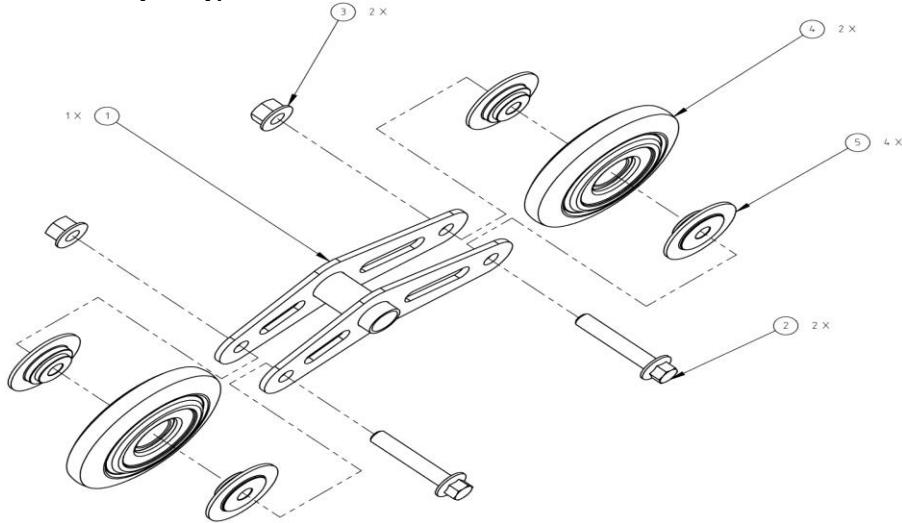
ITEM	PART NUMBER	DESCRIPTION	QTY
1	V102101-HYMD-0000	ROD, TIE	1
2	V102120-HYMD-0000	BALL JOINT, M8 - LH	1
3	V102110-HYMD-0000	BALL JOINT, M8 - RH	1
4	GB/T6170-M8-A3H	HEX NUT GB/T 6170 - M8 - CLASS 8 - OZ	1
5	GB/T6170-M8LH-A3H	HEX NUT GB/T 6170 - M8 - LH - CLASS 8 - OZ	1
6	GB/T93-8-S	SPRING WASHER	2

SUB ASSEMBLY (K-6), GUIDE, CHAIN



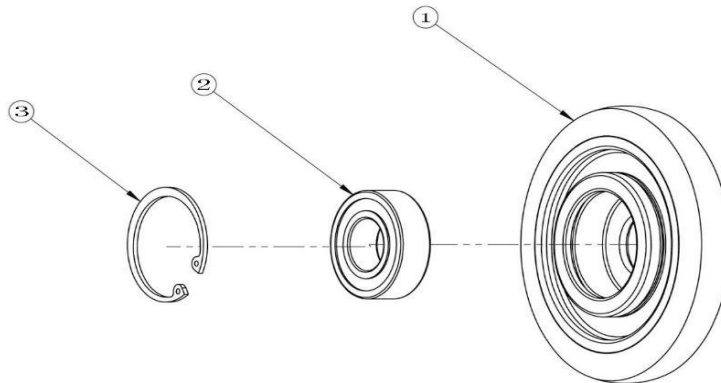
ITEM	PART NUMBER	DESCRIPTION	QTY
1	V126202-HYMD-0000	CHAIN GUIDE, INSERT	1
2	V126207-HYMD-0000	CHAIN GUIDE, OUTSIDE PLATE	1
3	V126208-HYMD-0000	CHAIN GUIDE, INNER PLATE	1
4	V125011-HYMD-0000	SPROCKET, IDLE 10 TOOTH	2
5	GB/T6183.1-M6-A2G	HEX FLANGE NUT GB/T 6183.1 - M6 - CLASS 8 - OZ	2
6	GB/T879.1-03025-A2S	SPRING PIN GB/T 879.1 - 3 x 25 - OZ	2
7	626-2RS-GB/T276-94	BEARING, 626-2RS	4
8	GB/T16674.1-M6*35-A3H	HEX FLANGE BOLT GB/T 16674.1 - M6 x 35 - CLASS 8.8 - OZ	2

SUB ASSEMBLY (K-7), LOWER BOGEY WHEEL



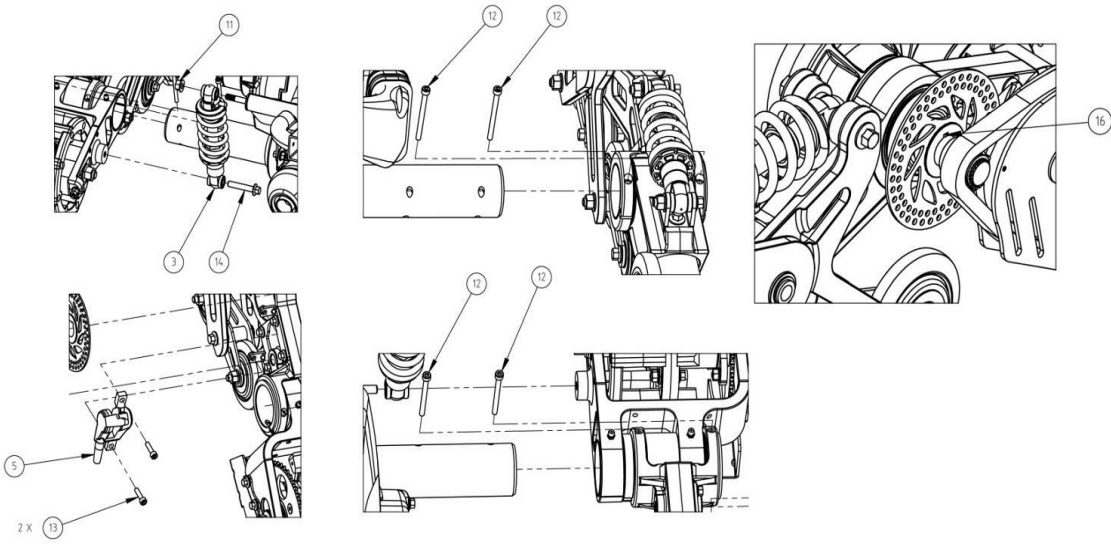
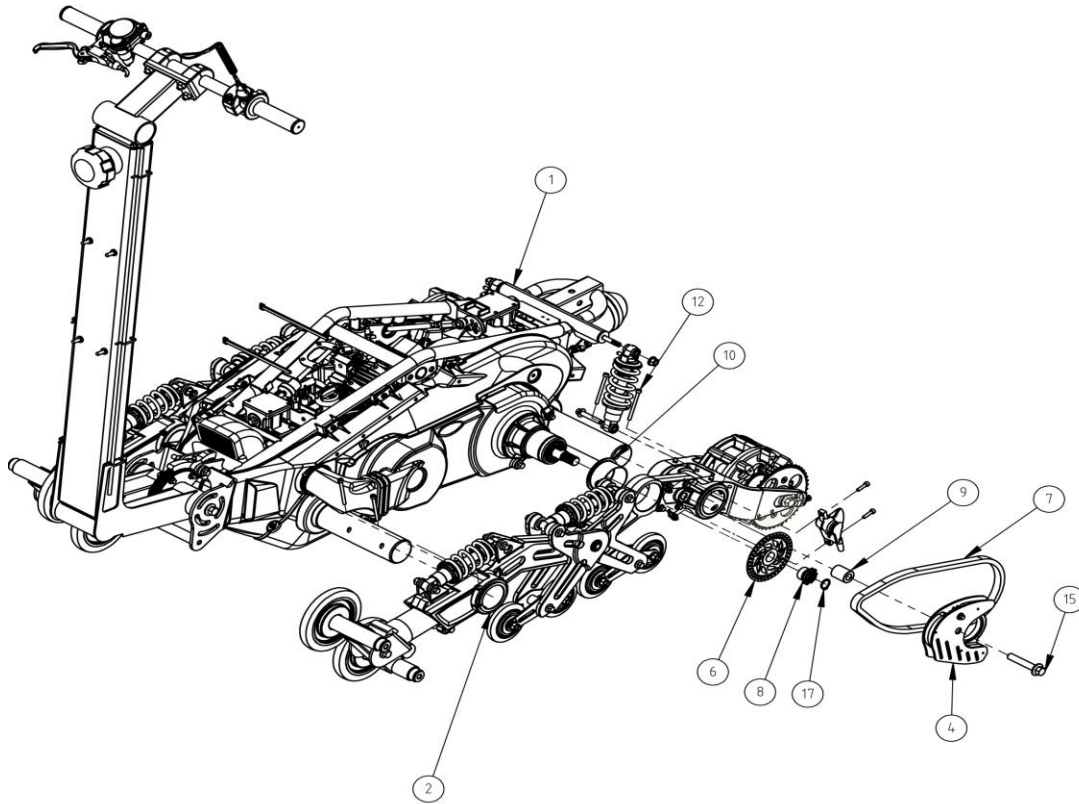
ITEM	PART NUMBER	DESCRIPTION	QTY
1	V171100-HYMD-0B03	WELDMENT, LOWER BOGIE	1
2	GB/T16674.1-M8*45-A3H	HEX FLANGE BOLT GB/T 16674.1 - M8 x 45 - CLASS 8.8 - OZ	2
3	GB/T6183.1-M8-A2G	HEX FLANGE NUT GB/T 6187.1 - M8 - CLASS 8 - OZ	2
4	V171100-HYMD-0000	SUB ASSY, 84.5 mm BOGIE WHEEL	2
5	V171101-HYMD-0000	84.5MM BOGIE WHEEL COVER	4

SUB ASSEMBLY (K-8), 130MM BOGIE WHEEL



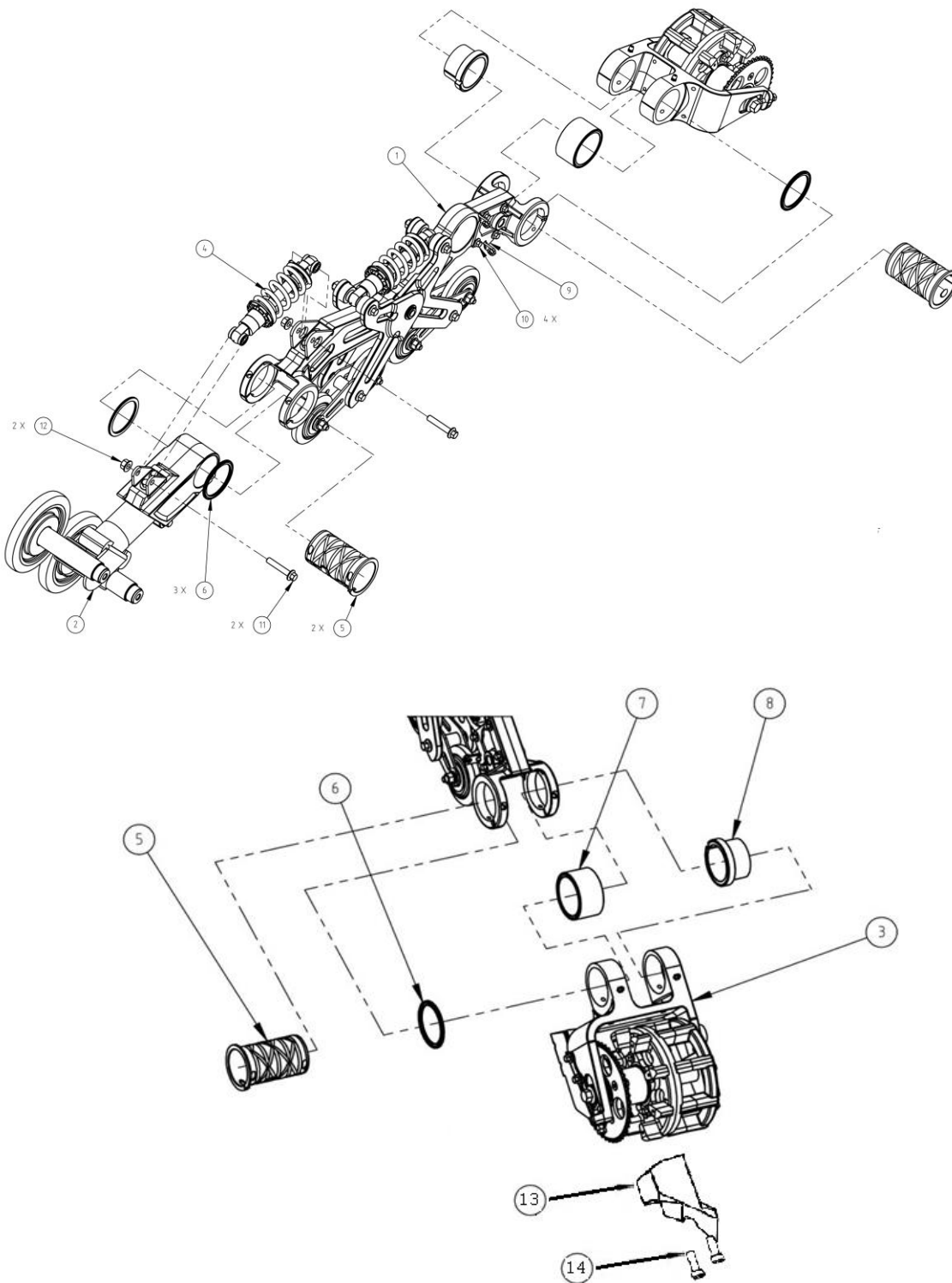
ITEM	PART NUMBER	DESCRIPTION	QTY
1	V172100-HYMD-0000	BOGIE WHEEL, 130MM	1
2	6205-2RS-GB/T276-94	BEARING, 6205-2RS	1
3	GB/T893.1-52-K	INT CIRCLIP GB/T 893.1 - 52 x 2.0 - P	1

(L) ASSEMBLY STAGE 12, LH CHASSIS



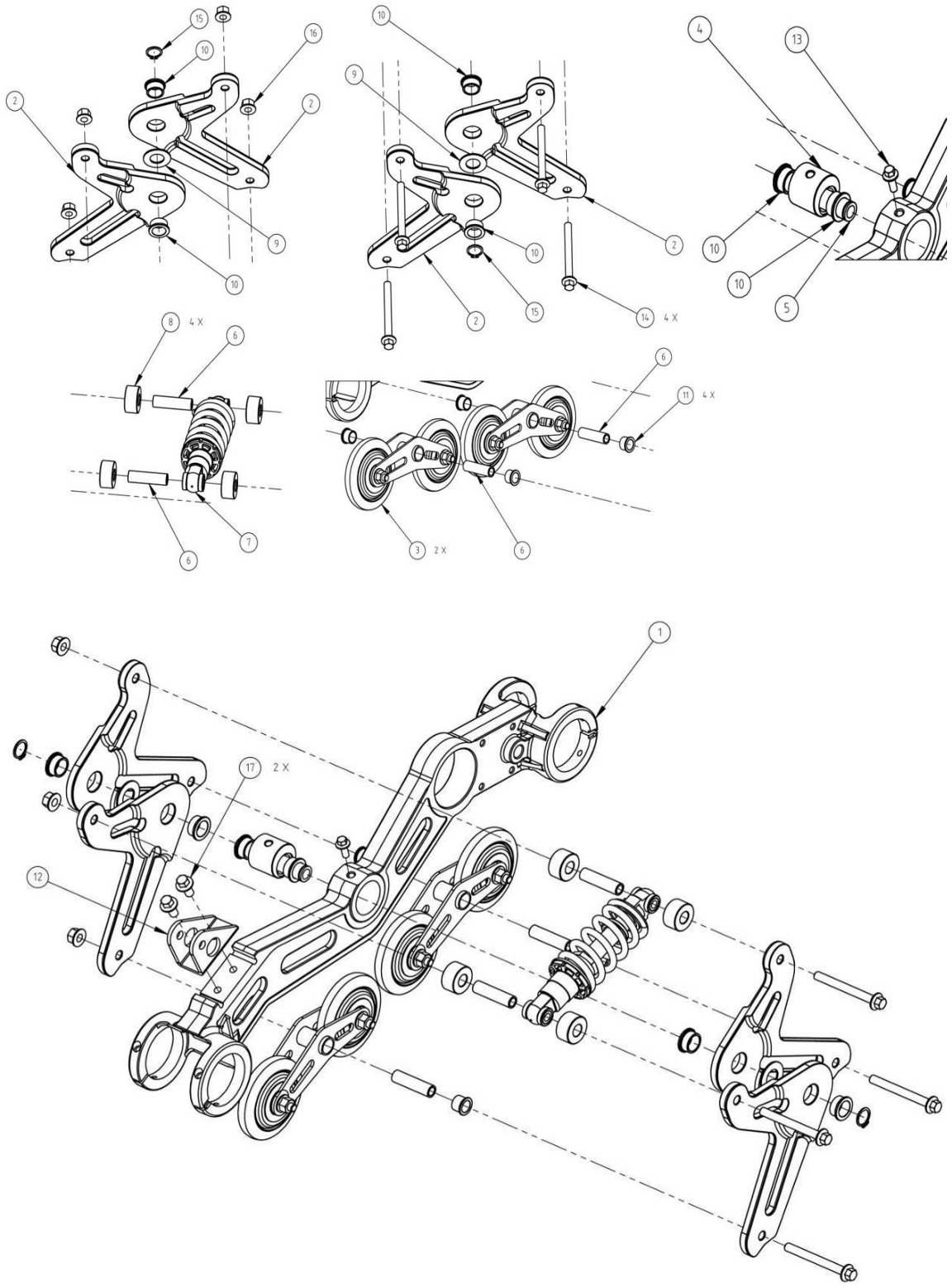
ITEM	PART NUMBER	DESCRIPTION	QTY
1	(K) ASSEMBLY STAGE 11	ASSEMBLY, STAGE 11, RH CHASSIS	1
2	SUB ASSEMBLY (L-1)	SUB ASSEMBLY, LH CHASSIS	1
3	V143000-HYMD-1000	SHOCK, REAR, 165 mm	1
4	SUB ASSEMBLY (K-6)	SUB ASSEMBLY, GUIDE, CHAIN	1
5	V151000-HYMD-0000	BRAKE CALIPER	1
6	SUB ASSEMBLY (L-5)	SUB ASSY, BRAKE ROTOR	1
7	06A-88-Ni-GB/T14212	ROLLER CHAIN, #35, O-RING	1
8	V125012-HYMD-0000	SPROCKET, ANSI #35 - 10 TEETH	1
9	V126204-HYMD-0000	SPACER, CHAIN GUIDE SHORT	1
10	V141012-HYMD-0000	BUSHING, TRANSMISSION CASE	1
11	TB/T70.1-M8*45-12.9-A2G	FASTENER	2
	GB/T95-8-A3H	FASTENER	2
12	GB/T70.1-M5*60-A2G	SOCKET HEAD SCREW GB/T 70.1 - M5 x 60 - CLASS 8.8 - OZ	4
13	90103-06016-00F5J	HEX FLANGE BOLT - M6 x 16	2
14	TB/T70.1-M8*45-12.9-A2G	FASTENER	1
	GB/T95-8-A3H	FASTENER	1
15	GB/T16674.2-M12*1.25*100-A3H	HEX FLANGE BOLT GB/T 16674.2 - M12 x 1.25 x 100 - CLASS 8.8 - OZ	1
16	GB/T1096-4*12-A2F	PARALLEL KEY GB/T 1096 - 4 x 4 x 12 - YZ	1
17	GB/T894.1-18-K	EXT CIRCLIP GB/T 894.1 - 18 x 1.2 - P	1

SUB ASSEMBLY (L-1), LH CHASSIS



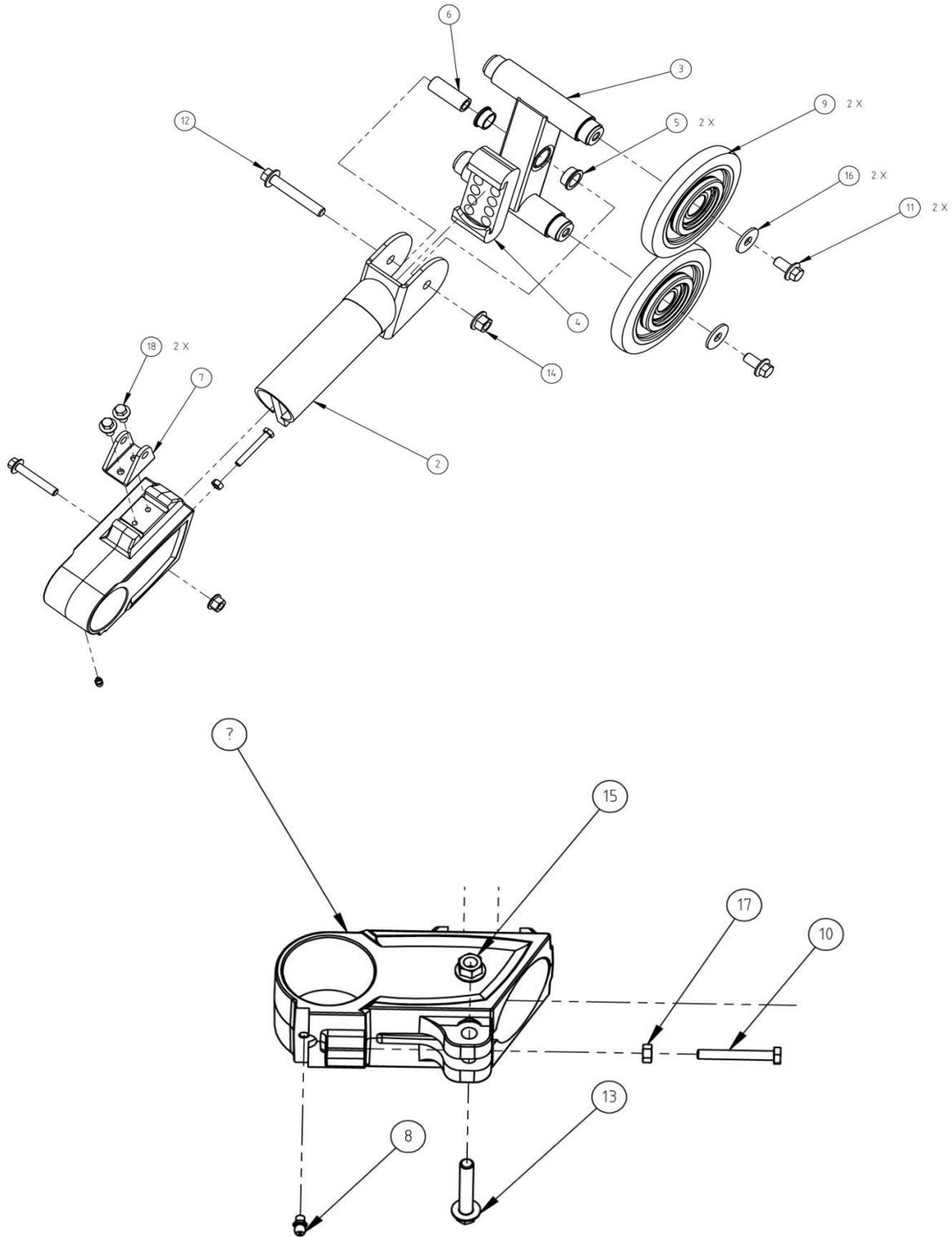
ITEM	PART NUMBER	DESCRIPTION	QTY
1	SUB ASSEMBLY (L-2)	SUB ASSEMBLY, LH MIDDLE SUSPENSION	1
2	SUB ASSEMBLY (L-3)	SUB ASSEMBLY, LH FRONT SUSPENSION	1
3	SUB ASSEMBLY (L-4)	SUB ASSEMBLY, LH REAR SWING ARM	1
4	V131700-HYMD-0000	SHOCK ABSORBER,FRONT(880LBS)	1
5	V121005-HYMD-0000	SLEAVE, PIVOT SLEAVE	2
6	V141006-HYMD-0000	WASHER, 3MM X 54MM X 66MM	3
7	V141011-HYMD-0000	SPACER, REAR SWING ARM	1
8	V121007-HYMD-0000	BUSHING, REAR SUPPORT LONG	1
9	V161331-HYMD-0B03	WELDMENT, BRAKE BRACKET	1
10	GB/T70.2-M6*12-A2G	BUTTON HEAD SCREW GB/T 70.2 - M6 x 12 - CLASS 8.8 - OZ	4
11	GB/T16674.1-M8*45-A3H	HEX FLANGE BOLT GB/T 16674.1 - M8 x 45 - CLASS 8.8 - OZ	2
12	GB/T6183.1-M8-A2G	HEX FLANGE NUT GB/T 6187.1 - M8 - CLASS 8 - OZ	2
13	V262000-HYMD-0000	ICE BREAKER, LEFT SIDE	1
14	GB/T70.1-M6*20-A2G	SOCKET HEAD SCREW GB/T 70.1 - M6 x 20 - CLASS 8.8 - OZ	2

SUB ASSEMBLY (L-2), LH MIDDLE SUSPENSION



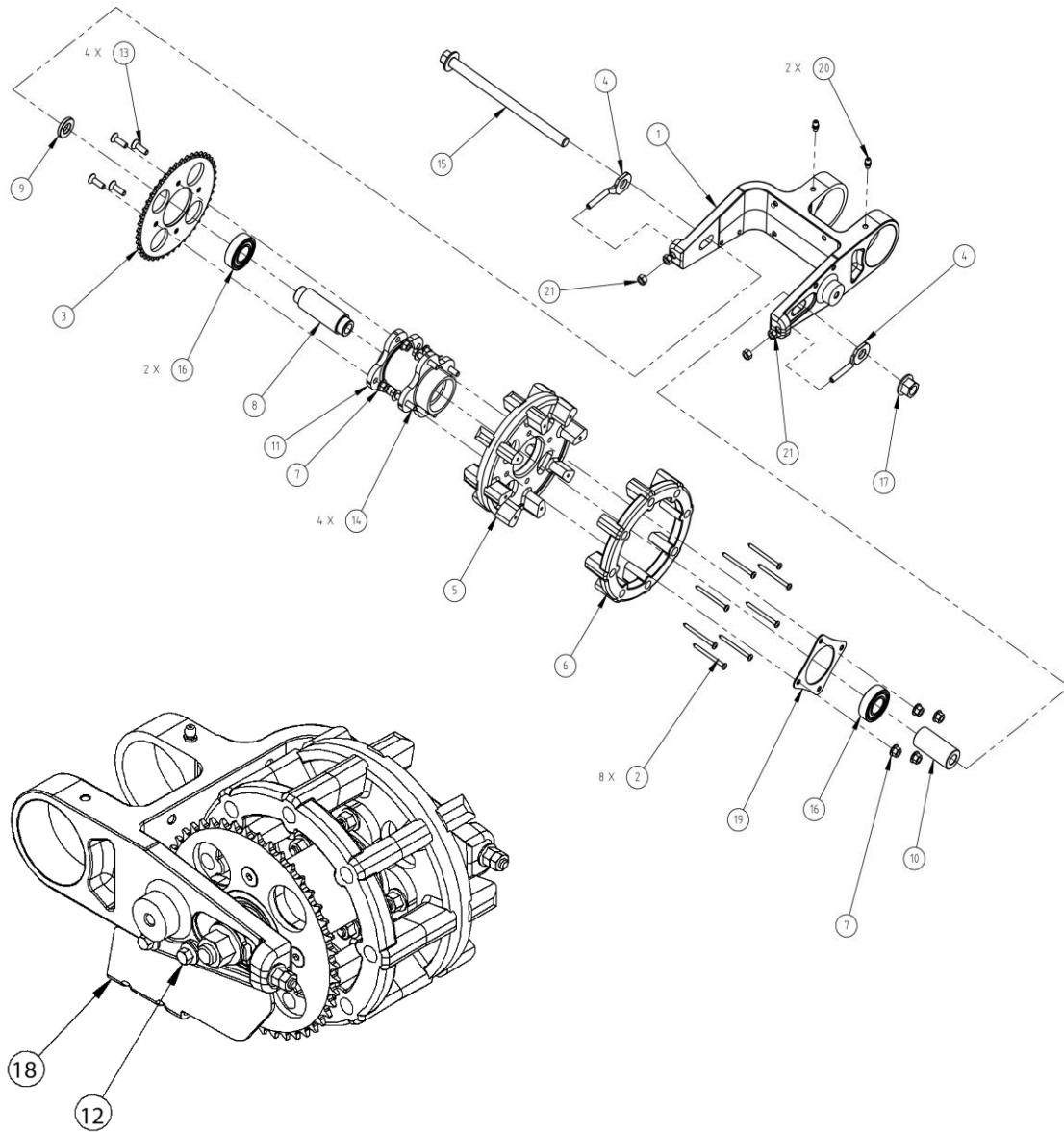
ITEM	PART NUMBER	DESCRIPTION	QTY
1	V131110-HYMD-0000	SUBFRAME, TRANSMISSION SIDE	1
2	V132000-HYMD-0000	ARM, MIDDLE SUSPENSION	4
3	SUB ASSEMBLY (K-6)	SUB ASSMEBLY, LOWER BOGEY WHEEL	2
4	V014001-HYMD-0000	HEIGHT ADJUSTER, SUB FRAME	1
5	V132105-HYMD-0000	SHAFT, MAIN PIVOT MIDDLE SUSPENSION	1
6	V143006-HYMD-0000	SLEEVE, SHOCK PIVOT	4
7	V131600-HYMD-1000	SHOCK ABSORBER,MIDDLE(550LBS)	1
8	V143101-HYMD-0000	PLASTIC SPACER, SHOCK LIMITING BLOCK	4
9	V132104-HYMD-0000	THRUST WASHER, MIDDLE SUSPENSION MAIN SHAFT	2
10	V100003-HYMD-1000	BUSHING, ϕ 20-16*10	4
	V100011-HYMD-0000	BUSHING, ϕ 20-16*15.3	2
11	V100005-HYMD-0000	BUSHING, LOWER BOGIE WHEEL	4
12	V013711-HYMD-0000	SHOCK BRACKET, SUB FRAME	1
13	GB/T16674.1-M6*16-A3H	HEX FLANGE BOLT GB/T 16674.1 - M6 x 16 - CLASS 8.8 - OZ	1
14	GB/T16674.1-M8*75-A3H	HEX FLANGE BOLT GB/T 16674.1 - M8 x 75 - CLASS 8.8 - OZ	4
15	GB/T894.1-16-K	EXT CIRCLIP GB/T 894.1 - 16 x 1.0 - P	2
16	GB/T6183.1-M8-A2G	HEX FLANGE NUT GB/T 6187.1 - M8 - CLASS 8 - OZ	4
17	GB/T16674.1-M8*16-A3H	HEX FLANGE BOLT GB/T 16674.1 - M8 x 16 - CLASS 8.8 - OZ	2

SUB ASSEMBLY (L-3), LH FRONT SUSPENSION



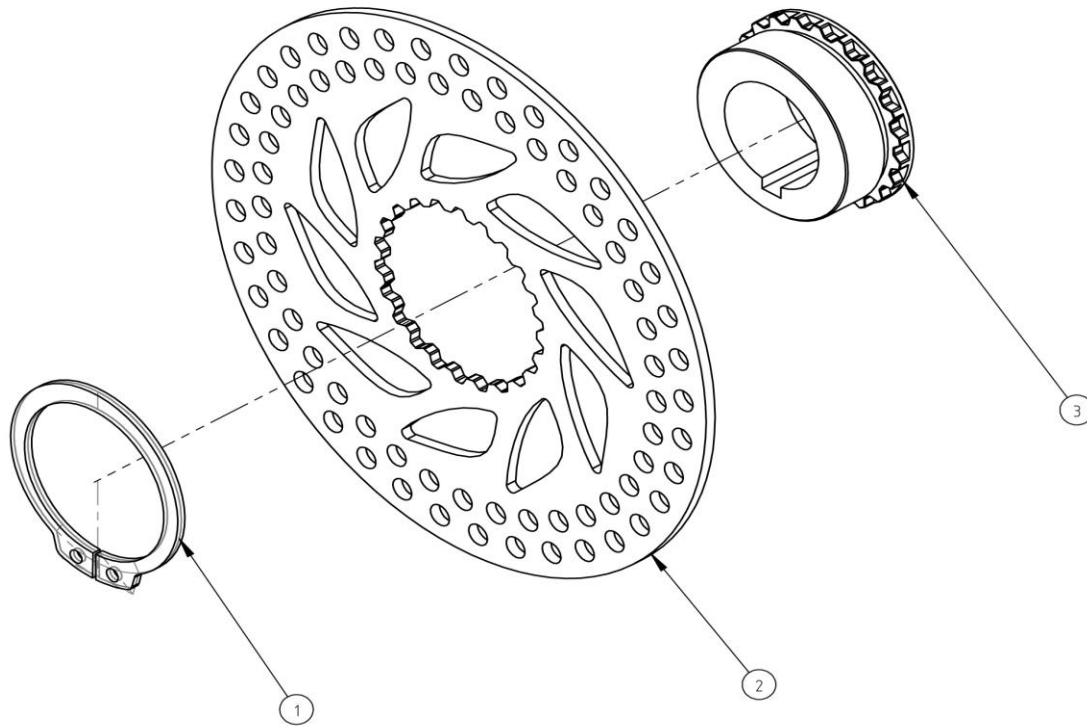
ITEM	PART NUMBER	DESCRIPTION	QTY
1	V133000-HYMD-0000	SWING ARM, FRONT	1
2	V114100-HYMD-1B03	WELDMENT 64MM FRONT SWINGARM	1
3	V171200-HYMD-0B03	WELDMENT, FRONT BOGIE	1
4	V133102-HYMD-0000	BUMPER, FRONT SUSPENSION	1
5	V100011-HYMD-0000	BUSHING FLANGE 12x16x20/2x10L	2
6	V171201-HYMD-0000	SPACER, FRONT TRUCK	1
7	V114118-HYMD-1000	SHOCK BRACKET, 64MM FRONT SWING ARM	1
8	JB/T7940.1-M6-CU	GREASE FITTING M6	1
9	SUB ASSEMBLY (K-8)	SUB ASSY, 130 mm BOGIE WHEEL	2
10	GB/T5783-M6*40-A3H	HEX HEAD BOLT GB/T 5783 - M6 x 40 - CLASS 8.8 - OZ	1
11	GB/T16674.2-M10*1.25*20-A3H	HEX FLANGE BOLT GB/T 16674.2 - M10 x 1.25 x 20 - CLASS 8.8 - OZ	2
12	GB/T16674.2-M10*1.25*65-A3H	HEX FLANGE BOLT GB/T 16674.2 - M10 x 1.25 x 65 - CLASS 8.8 - OZ	1
13	GB/T16674.1-M8*50-A3H	HEX FLANGE BOLT GB/T 16674.1 - M8 x 50 - CLASS 8.8 - OZ	1
14	GB/T6187.2-M10*1.25-A3H	HEX FLANGE NUT GB/T 6187.2 - M10 x 1.25 - CLASS 8 - OZ	1
15	GB/T6183.1-M8-A2G	HEX FLANGE NUT GB/T 6183.1 - M8 - CLASS 8 - OZ	1
16	GB/T96.1-10-A2G	PLAIN WASHER, LARGE SERIES GB/T 96.1 - M10 - OZ	2
17	GB/T6170-M6-A2G	HEX NUT GB/T 6170 - M6 - CLASS 8 - OZ	1
18	GB/T16674.1-M8*16-10.9-A3H	HEX FLANGE BOLT GB/T 16674.1 - M8 x 16 - CLASS 8.8 - OZ	2

SUB ASSEMBLY (L-4), LH REAR SWING ARM



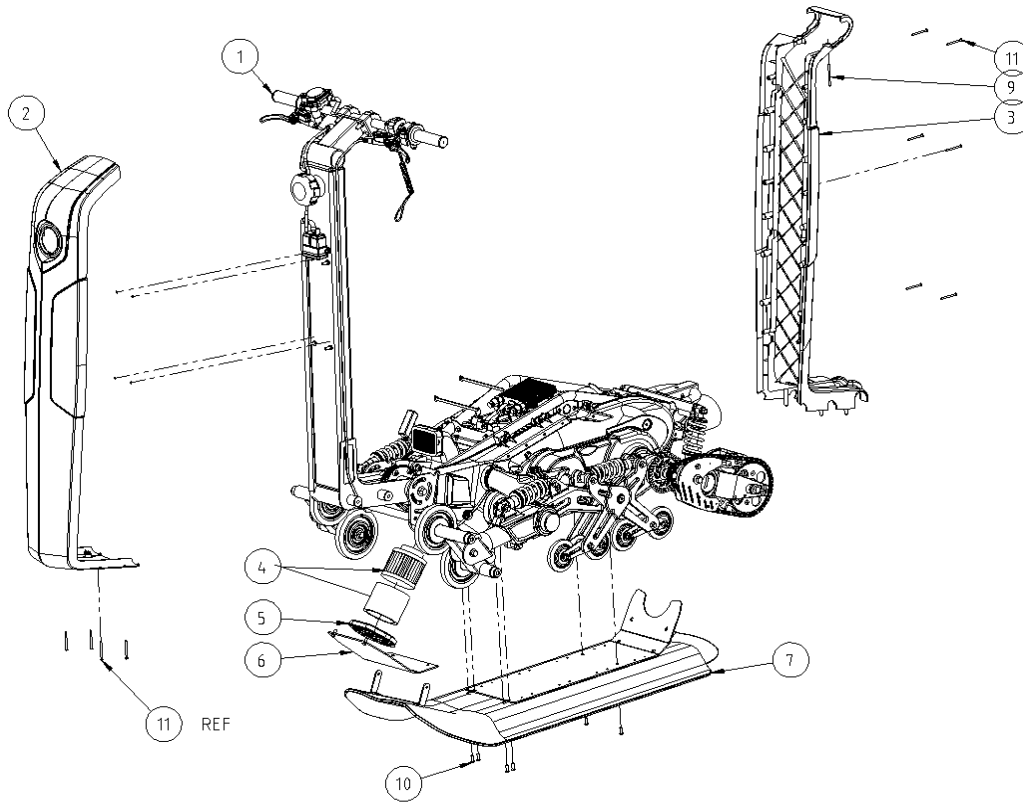
ITEM	PART NUMBER	DESCRIPTION	QTY
1	V141000-HYMD-0000	SWING ARM, REAR	1
2	GB/T845-ST5.0*80-A3H	PAN HEAD TAPPING SCREW GB/T 845 - ST5.0 x 80 - OZ	8
3	V125001-HYMD-1000	SPROCKET, 45 TOOTH #35 CHAIN	2
4	V141320-HYMD-0000	TENSIONER, TRACK	1
5	V125018-HYMD-0000	DRIVE SPROCKET, TRACK MOLDED	1
6	V125019-HYMD-0000	GUIDE, DRIVE TRACK SPROCKET	1
7	GB/T6183.1-M6-A2G	HEX FLANGE NUT GB/T 6183.1 - M6 - CLASS 8 - OZ	8
8	V125004-HYMD-0000	SPACER, INNER DRIVE SPROCKET	1
9	V125016-HYMD-0000	SPACER, SHORT OUTER DRIVE SPROCKET	1
10	V125017-HYMD-0000	SPACER, LONG OUTER DRIVE SPROCKET	1
11	V125009-HYMD-0000	HUB, LS DRIVE SPROCKET	2
12	GB/T16674.1-M6*16-A3H	HEX FLANGE BOLT GB/T 16674.1 - M6 x 16 - CLASS 8.8 - OZ	2
13	GB/T70.3-M6*20-A2G	FLAT HEAD SCREW GB/T 70.3 - M6 x 20 - CLASS 8.8 - OZ	2
14	GB/T70.1-M6*30-12.9-A2G	HEX FLANGE BOLT GB/T 16674.1 - M6 x 30 - CLASS 8.8 - OZ	4
15	GB/T16674.2-M12*1.25*185-A3H	HEX FLANGE BOLT GB/T 16674.2 - M12 x 1.25 x 185 - CLASS 8.8 - OZ	1
16	6004-2RS-GB/T276-94	BEARING, 6004-2RS	2
17	GB/T6187.2-M12*1.25-A3H	HEX FLANGE NUT GB/T 6187.2 - M12 x 1.25 - CLASS 8 - OZ	1
18	V124008-HYMD-1B03	4MM CHAIN GUARD	1
19	V125020-HYMD-0000	WASHER, DRIVE SPROCKET	1
20	JB/T7940.2-90°-M6-CU	90 DEGREE GREASE NIPPLE	1
21	GB/T6170-M6	HEX NUT GB/T 6170 - M6 - CLASS 8 - OZ	4

SUB ASSEMBLY (L-5), BRAKE ROTOR



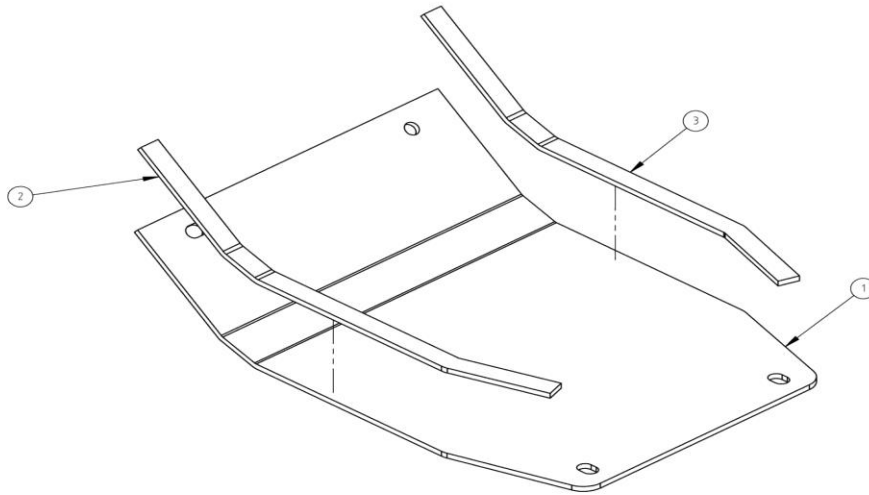
ITEM	PART NUMBER	DESCRIPTION	QTY
1	GB/T894.1-32-K	EXT CIRCLIP DIN 471 - 32 x 1.5 - P	1
2	V151001-HYMD-0000	DISK BRAKE ROTOR SPLIT	1
3	V151008-HYMD-0000	COLLAR BRAKE ROTOR SPLIT	1

(M) ASSEMBLY STAGE 13. HANDLE COVER & SKID PLATE



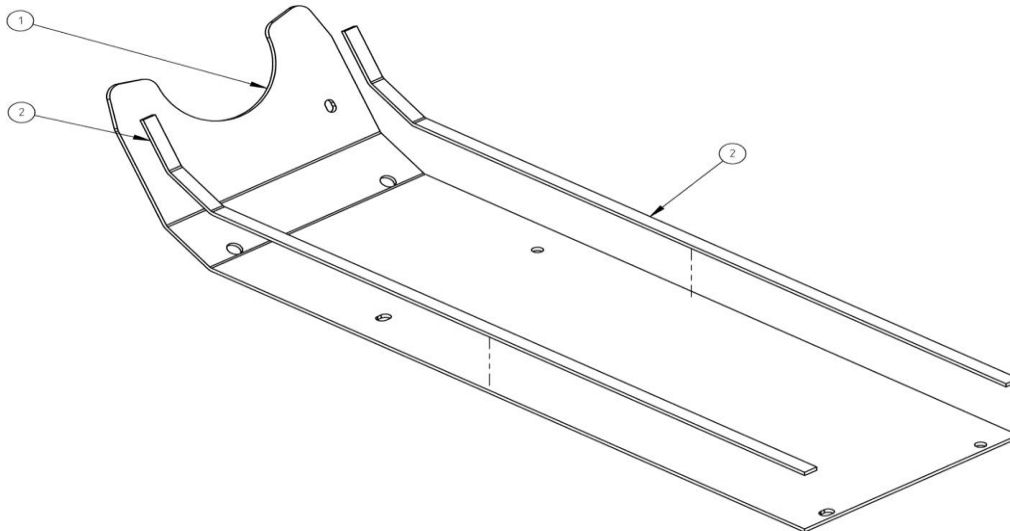
ITEM	PART NUMBER	DESCRIPTION	QTY
1	(L) ASSEMBLY STAGE 12	ASSEMBLY, STAGE 12, LH CHASSIS	1
2	V021111-HYMD-1B00	FAIRING, HANDLE FRONT	1
3	V021121-HYMD-1B00	FAIRING, HANDLE BACK	1
4	V241200-HYMD-0000	AIR FILTER	1
	V241203-HYMD-0000	AIR FILTER FOAM	1
5	V241104-HYMD-0000	PLUG AIRBOX BOTTOM	1
6	SUB ASSEMBLY (M-1)	SUB ASSY, FRONT SKID PLATE	1
7	SUB ASSEMBLY (M-2)	SUB ASSY, MAIN SKID PLATE	1
10	GB/T6183.1-M6-A2G	HEX FLANGE NUT GB/T 6187.1 - M6 - CLASS 8 - OZ	4
11	90103-06016-00F5J	OEM STYLE HEX FLANGE BOLT - M6 x 16 - CLASS 8.8	10
12	GB/T845-ST3.9*50-A3H	PAN HEAD TAPPING SCREW GB/T 845 - ST3.9 x 50 - OZ	10
13	GB/T845-ST3.9*60-A3H	PAN HEAD TAPPING SCREW GB/T 845 - ST3.9 x 60 - OZ	2

SUB ASSEMBLY (M-1). FRONT SKID PLATE



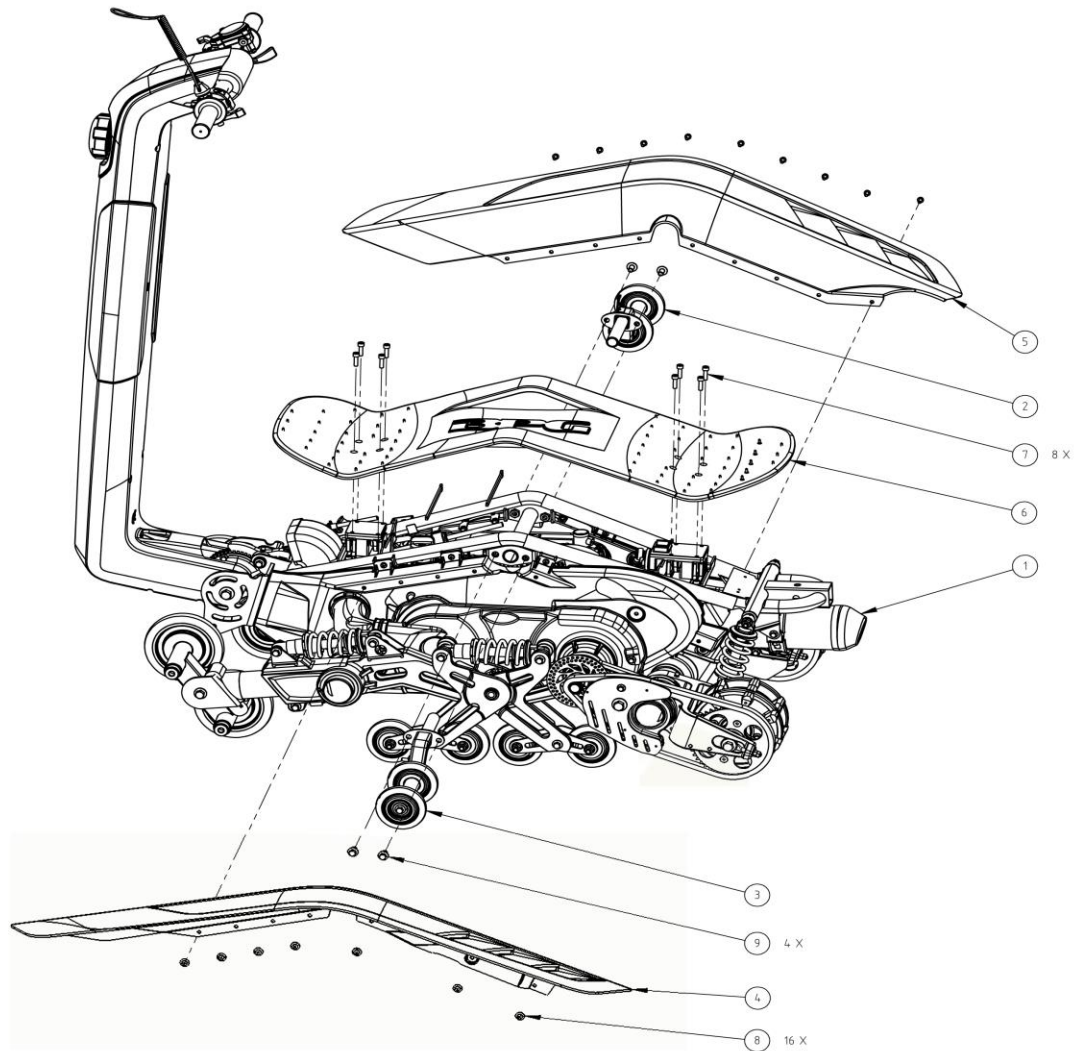
ITEM	PART NUMBER	DESCRIPTION	QTY
1	V014102-HYMD-0000	SKID PLATE FRONT	1
2	V014104-HYMD-0000	STRIP, ADHESIVE BACKED RUBBER	AR
3	V014104-HYMD-0000	STRIP, ADHESIVE BACKED RUBBER	AR

SUB ASSEMBLY (M-2). MAIN SKID PLATE



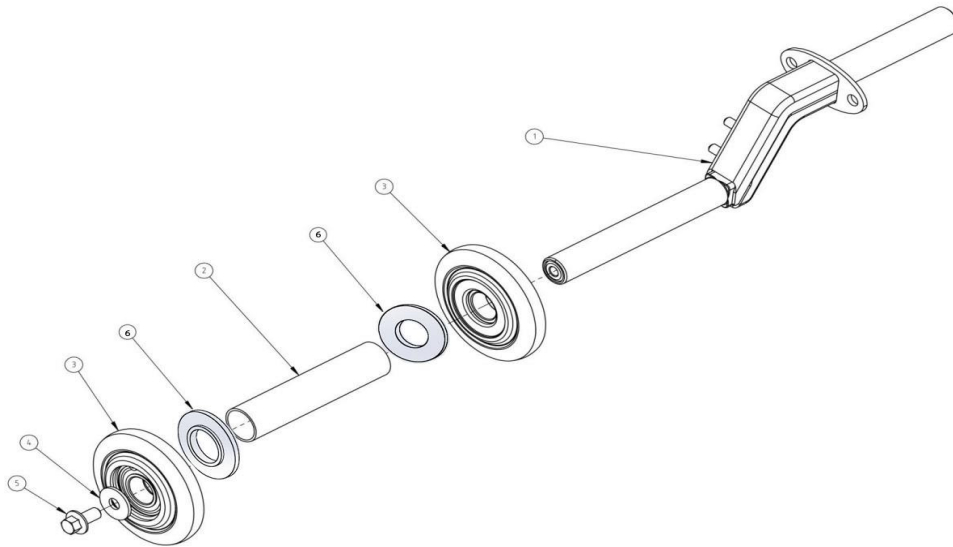
ITEM	PART NUMBER	DESCRIPTION	QTY
1	V014103-HYMD-1000	SKID PLATE MAIN	1
2	V014104-HYMD-0000	STRIP, ADHESIVE BACKED RUBBER	AR

(N) ASSEMBLY STAGE 14, FAIRINGS AND DECK



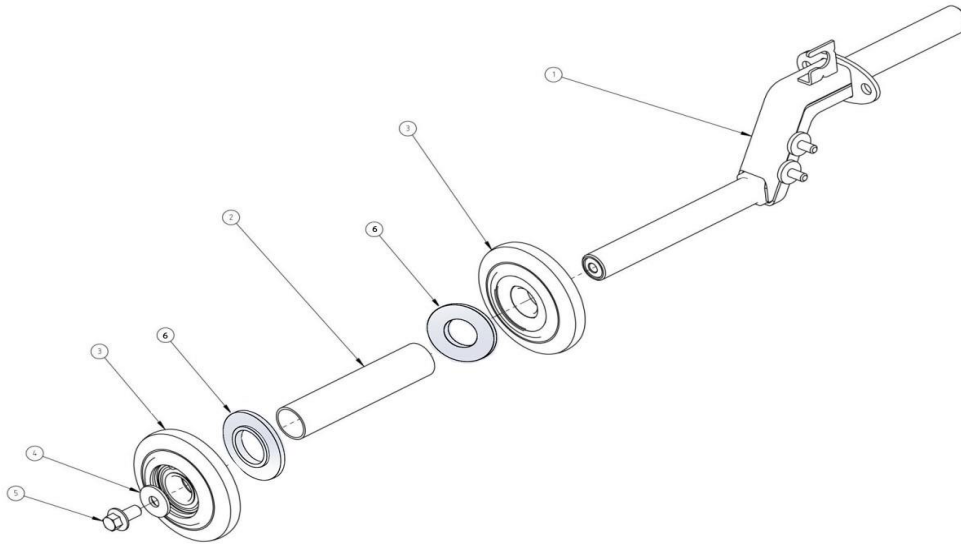
ITEM	PART NUMBER	DESCRIPTION	QTY
1	(M) ASSEMBLY STAGE 13	ASSEMBLY, STAGE 13, HANDLE COVER & SKID PLATE	1
2	SUB ASSEMBLY (N-1)	SUB ASSEMBLY, RH UPPER BOGEY ARM	1
3	SUB ASSEMBLY (N-2)	SUB ASSEMBLY, LH UPPER BOGEY ARM	1
4	V024321-HYMD-0B00	TRACK GUARD, LEFT SIDE	1
5	V024322-HYMD-0B00	TRACKS GUARD, RIGHT SIDE	1
6	V014300-HYMD-0000	DECK	1
7	GB/T70.1-M6*20-A2G	SOCKET HEAD SCREW GB/T 70.1 - M6 x 20 - CLASS 8.8 - OZ	8
8	GB/T9074.6-M5*12-4.8-S3-L-A3H	SCREW & WASHER GB/T 9074.1 - M5 x 12 - OZ	16
9	GB/T16674.1-M8*16-A3H	HEX FLANGE BOLT GB/T 16674.1 - M8 x 16 - CLASS 8.8 - OZ	4
10	V171800-HYMD-1B03	PRIMER BRACKET	1

SUB ASSEMBLY (N-1), RH UPPER BOGEY ARM



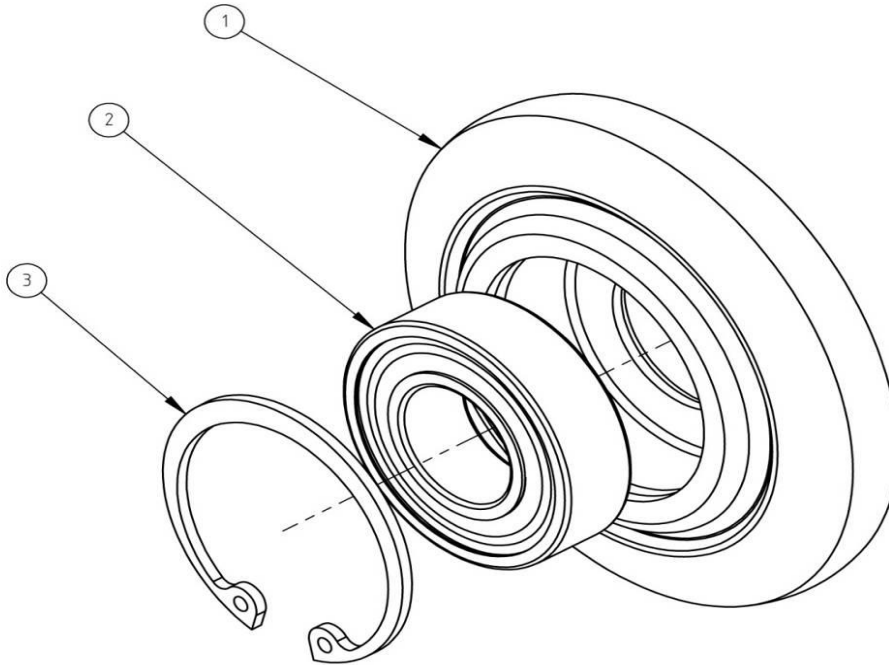
ITEM	PART NUMBER	DESCRIPTION	QTY
1	V171400-HYMD-0B03	WELDMENT, RH UPPER IDLER ARM	1
2	V171307-HYMD-0000	TUBE SPACER WHEELS UPPER IDLER	1
3	SUB ASSEMBLY (N-3)	SUB ASSY, 84.5 mm BOGIE WHEEL	2
4	GB/T96.1-8-A3H	PLAIN WASHER, LARGE SERIES GB/T 96.1 - M8 - OZ	1
5	GB/T16674.1-M8*16-A3H	HEX FLANGE BOLT GB/T 16674.1 - M8 x 16 - CLASS 8.8 - OZ	1
6	V171309-HYMD-0000	BOGEY WHEEL DUST-PROOF COVER	2

SUB ASSEMBLY (N-2), LH UPPER BOGEY ARM



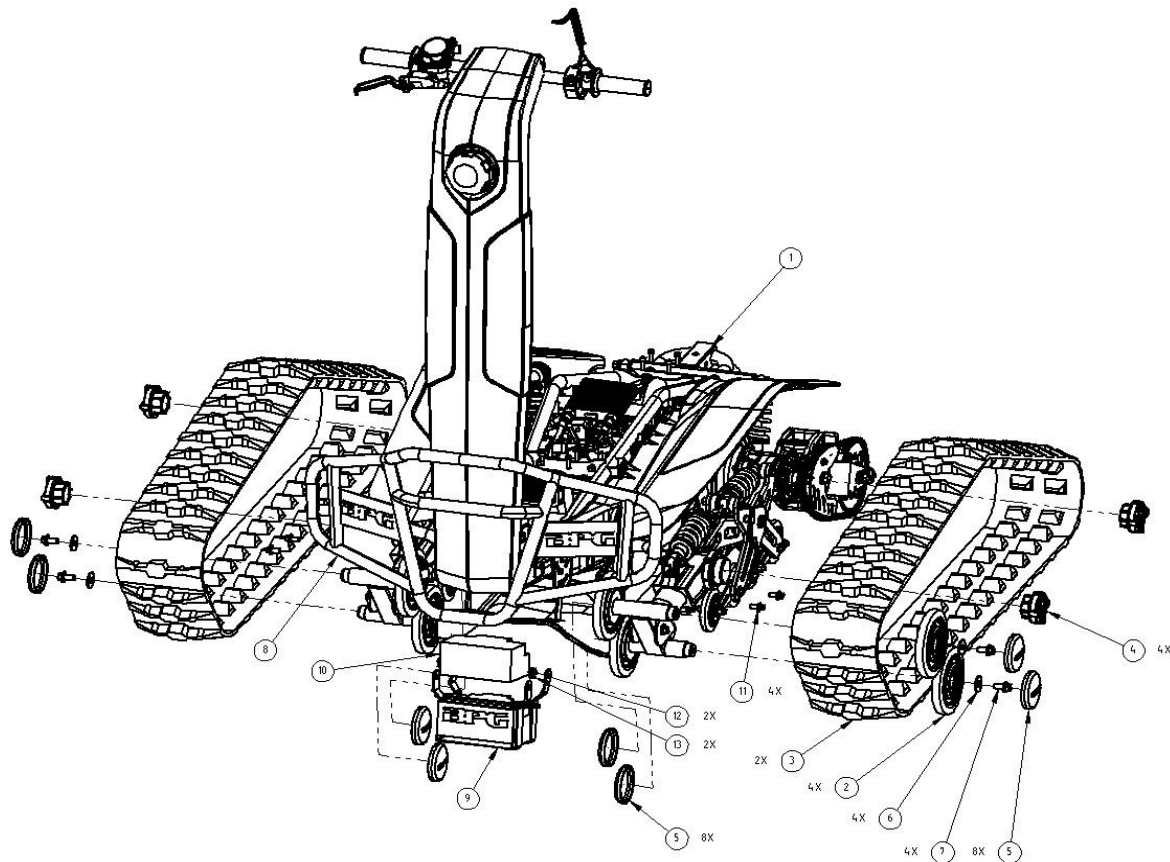
ITEM	PART NUMBER	DESCRIPTION	QTY
1	V171300-HYMD-0B03	WELDMENT, LH UPPER IDLER ARM	1
2	V171307-HYMD-0000	TUBE SPACER WHEELS UPPER IDLER	1
3	SUB ASSEMBLY (N-3)	SUB ASSY, 84.5 mm BOGIE WHEEL	2
4	GB/T96.1-8-A3H	PLAIN WASHER, LARGE SERIES GB/T 96.1 - M8 - OZ	1
5	GB/T16674.1-M8*16-A3H	HEX FLANGE BOLT GB/T 16674.1 - M8 x 16 - CLASS 8.8 - OZ	1
6	V171309-HYMD-0000	BOGEY WHEEL DUST-PROOF COVER	2

SUB ASSEMBLY (N-3), 84.5MM BOGIE WHEEL



ITEM	PART NUMBER	DESCRIPTION	QTY
1	V171100-HYMD-0000	BOGIE WHEEL, 84.5MM	1
2	6004-2RS-GB/T276-94	BEARING, 6004-2RS	1
3	GB/T893.1-42-K	INT CIRCLIP GB/T 893.1 - 42 x 1.75 - P	1

(O) ASSEMBLY STAGE, FINAL, TRACKS, BRUSH GUARD, BATTERY



ITEM	PART NUMBER	DESCRIPTION	QTY
1	(N) ASSEMBLY STAGE 14, FAIRINGS AND DECK	ASSEMBLY, STAGE 14, FAIRINGS AND DECK	1
2	SUB ASSEMBLY (K-7)	SUB ASSY, 130 mm BOGIE WHEEL	4
3	V171000-HYMD-1000	TRACK	2
4	V121200-HYMD-0000	AXLE TUBE END CAP, SHORT	4
5	V172101-HYMD-0000	130MM BOGEY WHEEL COVER	8
6	GB/T96.1-10-A2G	PLAIN WASHER, LARGE SERIES GB/T 96.1 - M10 - OZ	4
7	GB/T16674.2-M10*1.25*20-A3H	HEX FLANGE BOLT GB/T 16674.2 - M10 x 1.25 x 20 - CLASS 8.8 - OZ	4
8	V043000-HYMD-0B03	BRUSH GUARD	1
9	V203060-HYMD-0000	BATTERY BOX - MAIN BODY	1
	V203043-HYMD-0000	BATTERY BOX - TOP PLATE	1

10	V203000-HYMD-2000	LEAD-ACID BATTERY	1
11	GB/T16674.1-M8*16-10.9-A3H	HEX FLANGE BOLT - M8*16	4
12	GB/T16674.1-M6*16-A2G	HEX FLANGE BOLT - M6*16	2
13	GB/T6183.1-M6-A2G	NUTS M6	2